

Travel wheels: B86

Some wheelchairs can be delivered with travel wheels: B86. This option can be useful when you go on holiday.

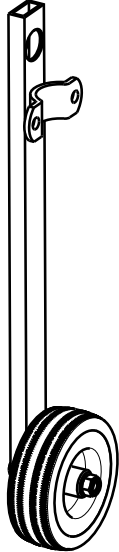
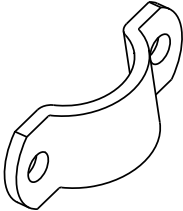
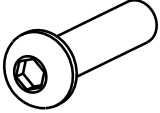

1. Technical Specifications

Description	Dimensions
Height	80 mm
Width	75 mm
Depth	52 mm
Wheel (diameter x width)	75 mm x 25 mm
Weight	0,35 kg / piece

2. Safety rules

⚠ Check that the travel wheels are firmly mounted before using the wheelchair.

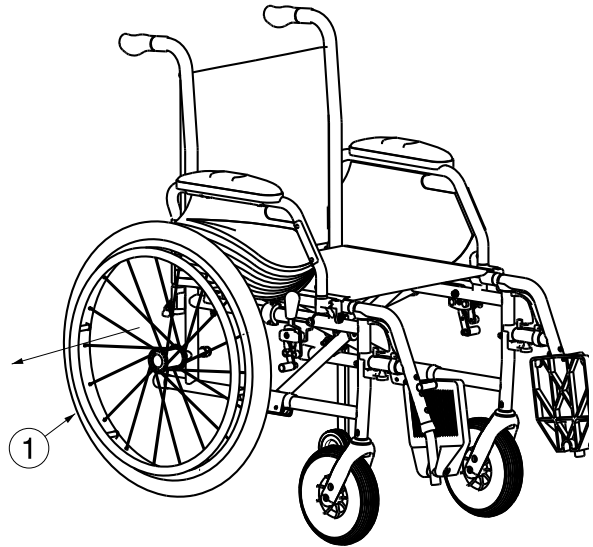
3. Manner of delivery

Description	Number	Drawing
Travel wheels	2	
Attachment bracket	2	
Screws	4	
Nuts	4	

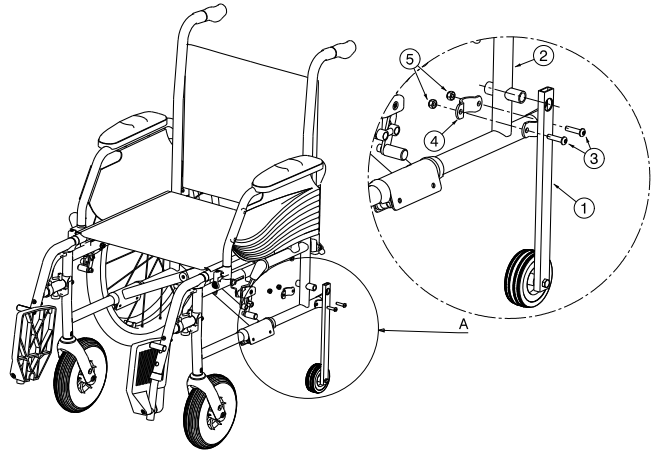
4. Assembly / Disassembly

The travel wheels of the wheelchair can be mounted by following instructions:

1. Remove the rear wheels ① and rear wheel axles.



2. Grasp the travel wheel ①.
3. Mount the travel wheel ① around the side frame tube ② of your wheelchair. The hole of the travel wheel must be mounted around the rear wheels bushing.
4. Mount the attachment bracket ④ and tighten with the two screws ③ and two nuts ⑤.



5. Check that the travel wheels are firmly mounted before using the wheelchair.
6. Repeat these instructions for the other travel wheels.

