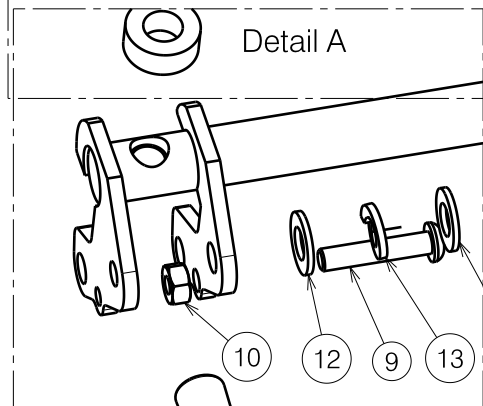


Material / Materiaal			
No. / Nr.	Plan	Article / Artikel	Number / Aantal
1	Y011652	1655200	1
2	Y011640	1655100	1
3	---	1900008	1
4	X003646	1999963	1
5	---	1006057	1
6	---	1001680	1
7	Y009857	1643154 (39)	1
	Y009858	1643254 (45)	1
	Y011466	1643354 (51)	1
8	Y009853	1642654 (39)	1
	Y009854	1642754 (45)	1
	Y011469	1642854 (51)	1
9	---	1009588	2
10	---	1001670	2
11	---	1993236	2
12	---	1001554	4
13	---	1001570	2
14	---	1900072	2
15	---	1993594	2
16	X002324	1991841	2



1900023 (39)
1900024 (45)
1900025 (51)

TRANSFORM KIT PEDAL SERENYS OMBOUWSET PEDAAAL SERENYS			Plan No. / Plannr. E000334/F
Scale / Schaal: 1:3	Drafted / Getekend	Verified / Nagezien	Confirmed / Bevestigd
Date / Datum	25/10/2006	19/09/2012	19/09/2012
Init. / Init.	SD	SV	PJ

