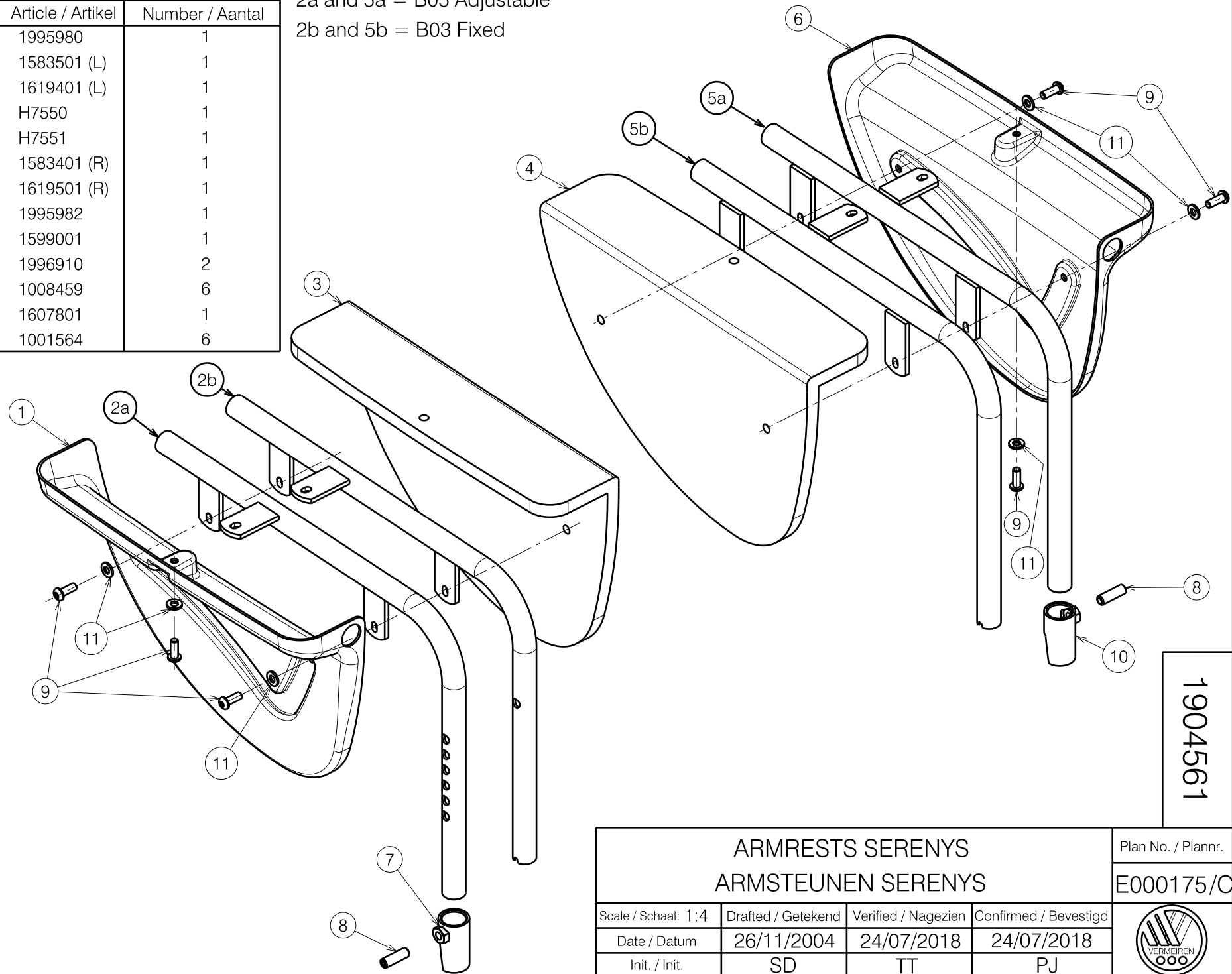


Material / Materiaal			
No. / Nr.	Plan	Article / Artikel	Number / Aantal
1	X003159	1995980	1
2a	Y006879	1583501 (L)	1
2b	Y009090	1619401 (L)	1
3	X003172	H7550	1
4	X003173	H7551	1
5a	Y007028	1583401 (R)	1
5b	Y009091	1619501 (R)	1
6	X003161	1995982	1
7	Y006874	1599001	1
8	---	1996910	2
9	---	1008459	6
10	Y007776	1607801	1
11	---	1001564	6

2a and 5a = B05 Adjustable
 2b and 5b = B03 Fixed



1904561

ARMRESTS SERENYS ARMSTEUNEN SERENYS			Plan No. / Plannr. E000175/C
Scale / Schaal: 1:4	Drafted / Getekend	Verified / Nagezien	Confirmed / Bevestigd
Date / Datum	26/11/2004	24/07/2018	24/07/2018
Init. / Init.	SD	TT	PJ

