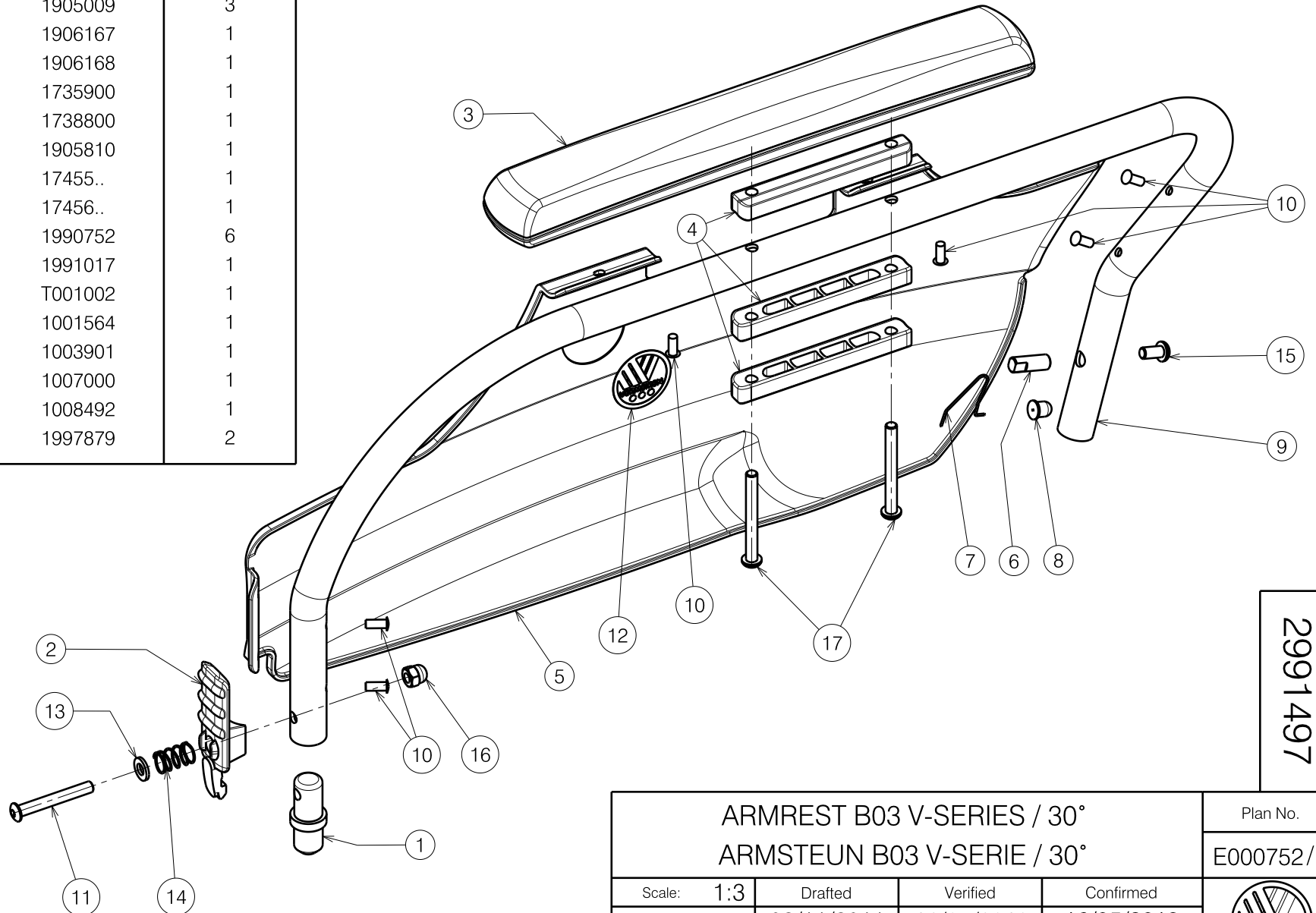


Material			
No.	Plan	Article	Quantity
1	X004421	1904140	1
2	X004422	1904136	1
3	X004460	1904569	1
4	X004491	1905009	3
5	X004561	1906167	1
	X004562	1906168	1
6	X004721	1735900	1
7	X004766	1738800	1
8	X004767	1905810	1
9	Y015732	17455..	1
	Y015733	17456..	1
10	---	1990752	6
11	---	1991017	1
12	---	T001002	1
13	---	1001564	1
14	---	1003901	1
15	---	1007000	1
16	---	1008492	1
17	M6x55 ISO7380	1997879	2



2991497

E000752 / C

ARMREST B03 V-SERIES / 30°				Plan No. E000752 / C
ARMSTEUN B03 V-SERIE / 30°				
Scale:	1:3	Drafted	Verified	Confirmed
Date	03/11/2011	16/05/2019	16/05/2019	16/05/2019
Initials	SD	SD	PJ	

