

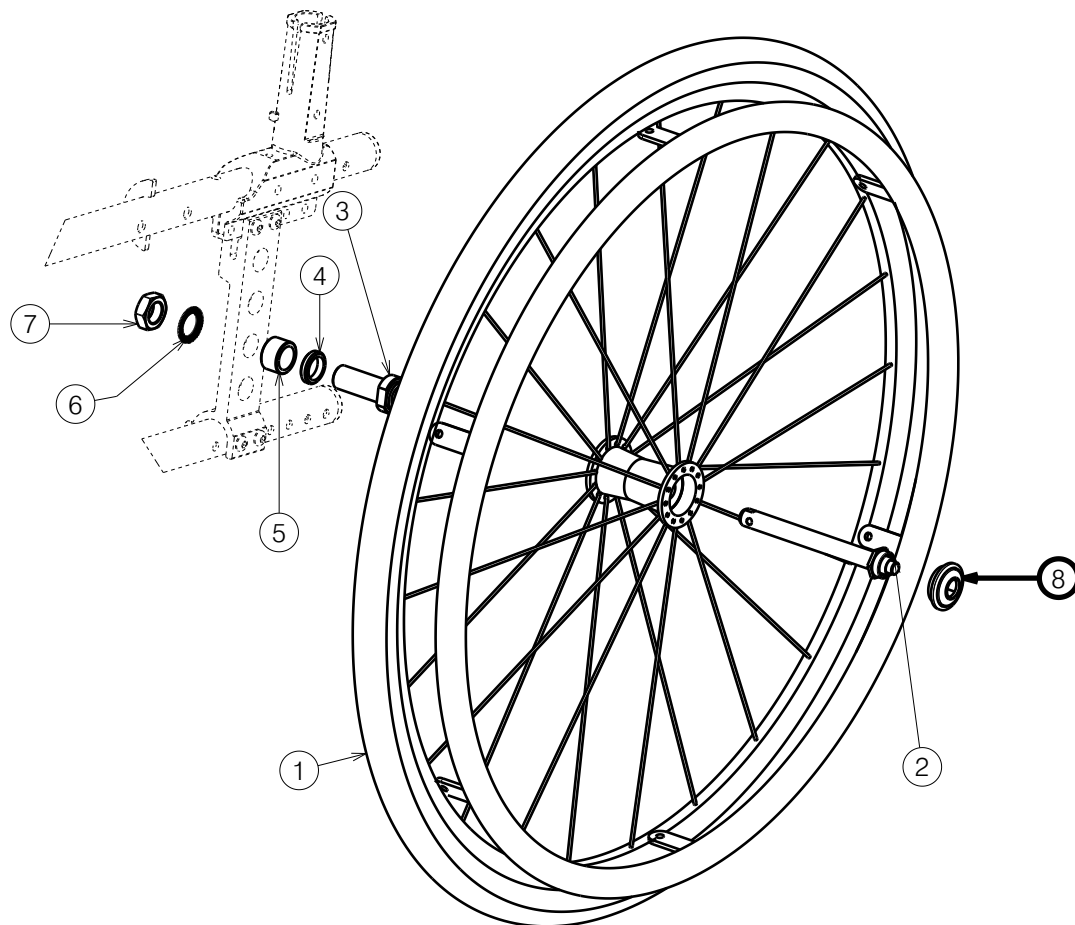
Real wheels			
No.	Plan	Article	Quantity
1	24"BLACK AIR SRR	1914849	2
	BLACK AIR SMP	1914850	2
	22"BLACK AIR SRR	1914847	2
2	QuickreleaseD12-98	1914865	2
*	QuickreleaseD12-103	2990330	2
3	P00050165	GP00322	2
*	X005828	1905244	2
4	X001380	1009726	2
5*	X000185	G000790	2
6	M16 DIN17222	1911653	2
7	X002437	1992699	2

Real wheels			
No.	Plan	Article	Quantity
1	24"SPIRIT ALU AIR SRR	1914876	2
	SPIRIT ALU AIR SMP	1914877	2
	SPIRIT RED AIR SRR	1914878	2
	SPIRIT RED AIR SMP	1914879	2
	SPIRIT BLUE AIR SRR	1914880	2
	SPIRIT BLUE AIR SMP	1914881	2
	OFF ROAD AIR	2990958	2
	24" BL-BLACK PU	1915351	2
2	X005720	1905243	2
3	X005828	1905244	2
4	X001380	1009726	2
**	X000203	G000791	2
5*	X000185	G000790	2
6	M16 DIN17222	1911653	2
7	X002437	1992699	2
8	X003800	1900347	2

Real wheels			
No.	Plan	Article	Quantity
1	B74	E001081	1
	Hem2	E000652	1

\* Use with Bi5.

\*\* Use for wheels "Off road" and "Spirit"



- Only left side depicted

- Quantities are for one wheelchair

REAR WHEELS / V500 ACTIVE Sheet 1/2			
Scale:	2:13	Drafted	Verified
Date	02/02/2023	02/02/2023	02/02/2023
Initials	AS	WM	AS

---
Plan No.
E00051594/B1.1