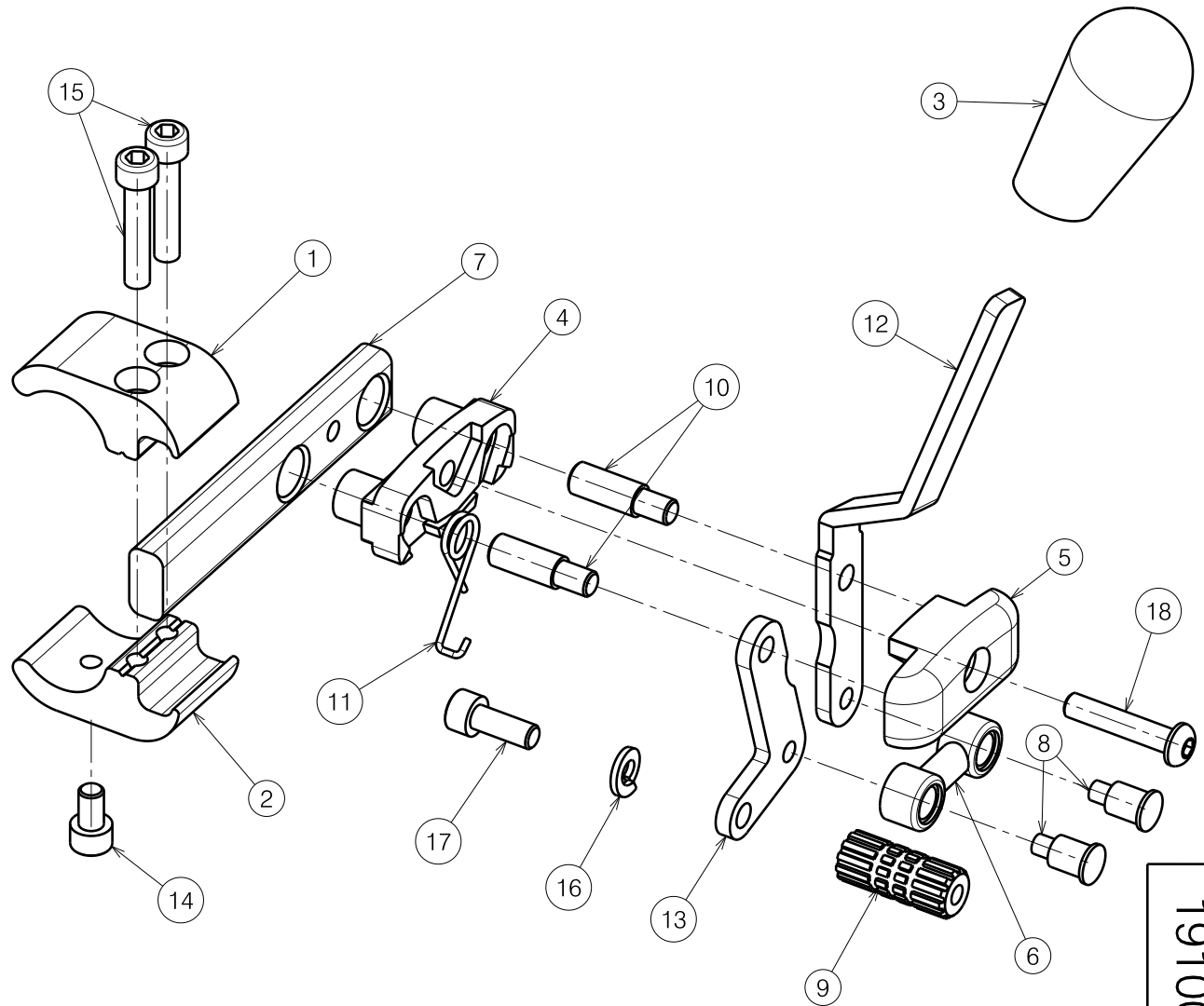


| Material |               |         |          |
|----------|---------------|---------|----------|
| No.      | Plan          | Article | Quantity |
| 1        | X002115       | 1552682 | 1        |
| 2        | X002116       | 1552782 | 1        |
| 3        | X002134       | 1992411 | 1        |
| 4        | X002139       | 1992426 | 1        |
| 5        | X002140       | 1992427 | 1        |
| 6        | X002141       | 1992435 | 1        |
| 7        | X002155       | 1552582 | 1        |
| 8        | X002165       | 1488300 | 2        |
| 9        | X005274       | 17937   | 1        |
| 10       | X005276       | 1793900 | 2        |
| 11       | X005306       | 1910033 | 1        |
| 12       | Y016715       | 1735554 | 1        |
| 13       | Y020193       | 1794054 | 1        |
| 14       | M6x10 DIN912  | 1001491 | 1        |
| 15       | M6x30 DIN912  | 1001495 | 2        |
| 16       | M6 DIN127     | 1004414 | 1        |
| 17       | M6x16 DIN912  | 1001492 | 1        |
| 18       | M6x30 ISO7380 | 1009588 | 1        |



1910031

E000910 / B

|                             |            |            |            |   |
|-----------------------------|------------|------------|------------|---|
| BRAKE RIGHT V-SERIES/ECLIPS |            |            |            | Plan No.  |
|                             |            |            |            | E000910 / B   |
| Scale: 3:5                  | Drafted    | Verified   | Confirmed  |  |
| Date                        | 09/01/2014 | 11/03/2014 | 11/03/2014 |   |
| Initials                    | SD         | SD         | PJ         |   |