


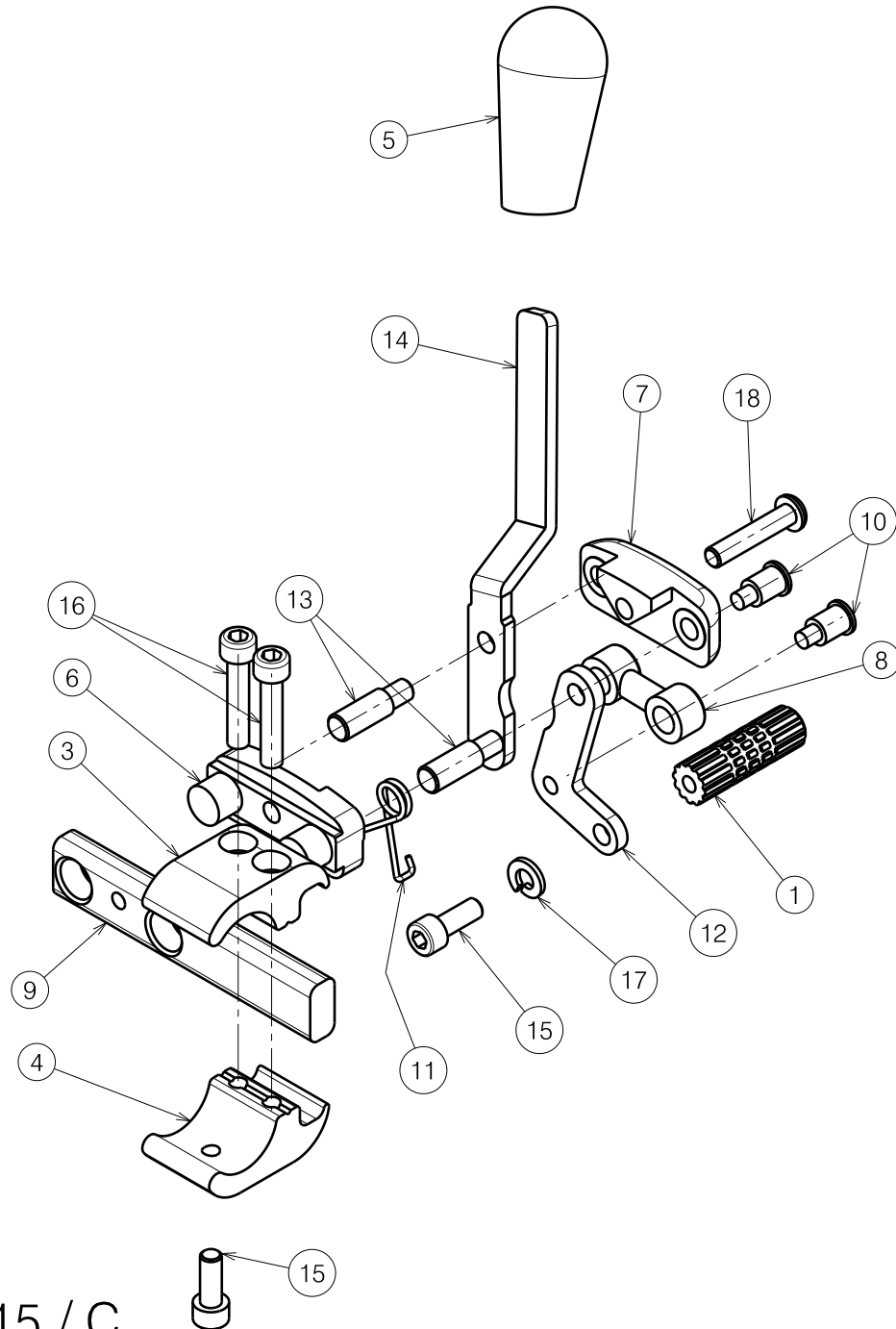
Material			
No.	Plan	Article	Quantity
1	X005277	17938	1
2	/	/	/
3	X002115	1552682	1
4	X002116	1552782	1
5	X002134	1992411	1
6	X002139	1992426	1
7	X002140	1992427	1
8	X002141	1992435	1
9	X002155	1552582	1
10	X002165	1488300	2
11	X005305	1910032	1
12	Y020193	1794054	1
13	X005276	1793900	2
14	Y016713	1735454	1
15	M6x16 DIN912	1001492	2
16	M6x30 DIN912	1001495	2
17	M6 DIN127B	1004414	1
18	M6x30 ISO7380	1009588	1

Left side

Page 1 / 2

E000915 / C

BRAKE WITH LONG BRAKE PIN				Plan No.
V100 (B74) - V200 (B74) - ECLIPS 30° - JAZZ - BOREAL				E000915 / C
Scale: 1:2	Drafted	Verified	Confirmed	
Date	16/01/2014	22/04/2015	22/04/2015	
Initials	SD	TT	PJ	



Material			
No.	Plan	Article	Quantity
1	X005277	17938	1
2	/	/	/
3	X002115	1552682	1
4	X002116	1552782	1
5	X002134	1992411	1
6	X002139	1992426	1
7	X002140	1992427	1
8	X002141	1992435	1
9	X002155	1552582	1
10	X002165	1488300	2
11	X005306	1910033	1
12	Y020193	1794054	1
13	X005276	1793900	2
14	Y016715	1735554	1
15	M6x16 DIN912	1001492	2
16	M6x30 DIN912	1001495	2
17	M6 DIN127B	1004414	1
18	M6x30 ISO7380	1009588	1

Right side

Page 2 / 2

E000915 / C

BRAKE WITH LONG BRAKE PIN V100 (B74) - V200 (B74) - ECLIPS 30° - JAZZ - BOREAL				Plan No.
				E000915 / C
Scale: 1:2	Drafted	Verified	Confirmed	
Date	16/01/2014	22/04/2015	22/04/2015	
Initials	SD	TT	PJ	