

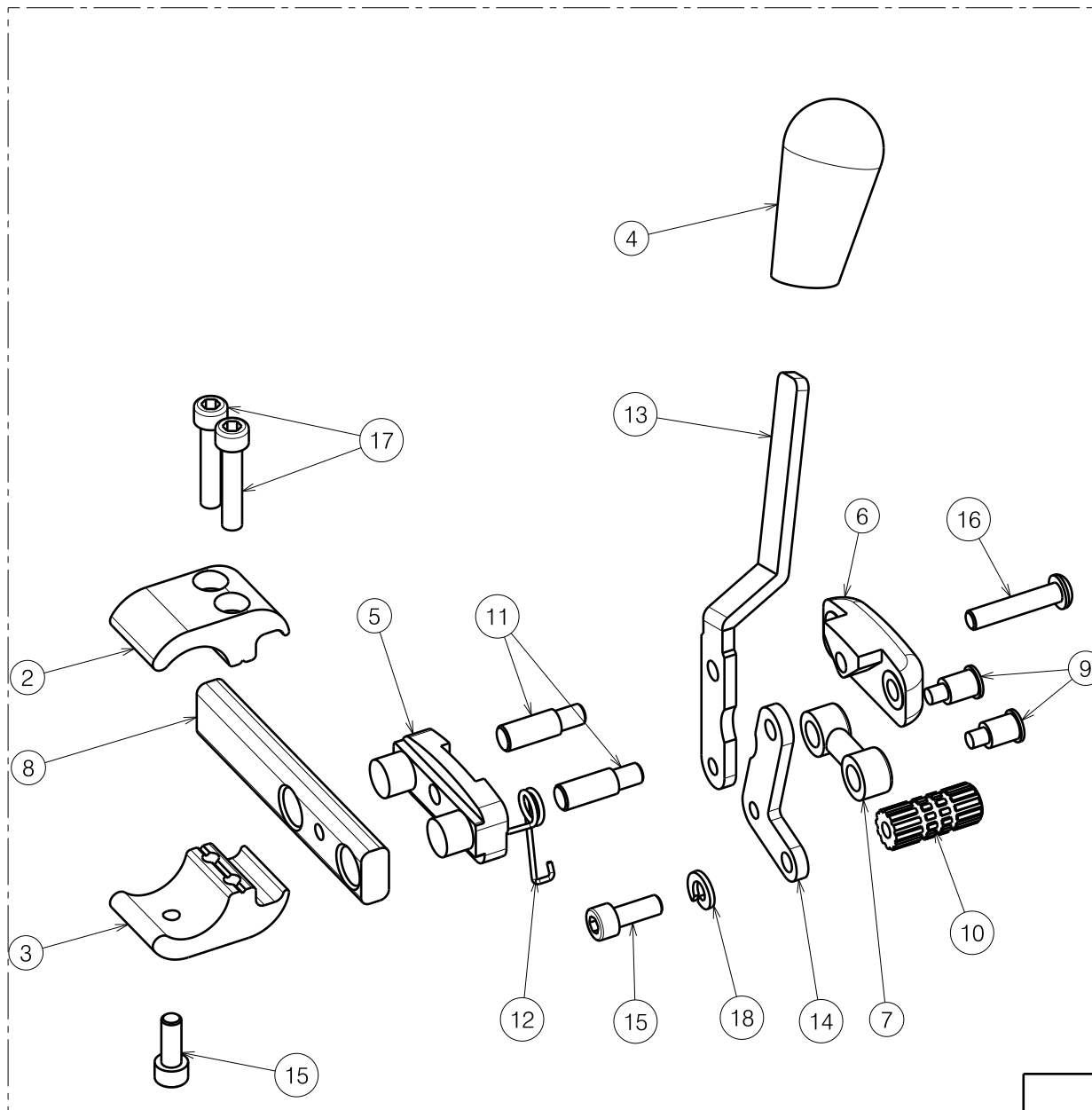
Material			
No.	Plan	Article	Quantity
2	X002115	1552682	1
3	X002116	1552782	1
4	X002134	1992411	1
5	X002139	1992426	1
6	X002140	1992427	1
7	X002141	1992435	1
8	X002155	1552582	1
9	X002165	1488300	2
10	X005274	17937	1
11	X005276	1793900	2
12	X005305	1910032	1
13	Y016713	1735454	1
14	Y020193	1794054	1
15	M6x16 DIN912	1001492	2
16	M6x30 ISO7380	1009588	1
17	M6x30 DIN912	1001495	2
18	M6 DIN127B	1004414	1

Left side - Sheet 1/2

1910161

E000917 / C

BRAKE SERENYS 2014				Plan No.
				E000917 / C
Scale: 1:2	Drafted	Verified	Confirmed	
Date	16/01/2014	08/12/2017	08/12/2017	
Initials	SD	SD	PJ	



Material			
No.	Plan	Article	Quantity
2	X002115	1552682	1
3	X002116	1552782	1
4	X002134	1992411	1
5	X002139	1992426	1
6	X002140	1992427	1
7	X002141	1992435	1
8	X002155	1552582	1
9	X002165	1488300	2
10	X005274	17937	1
11	X005276	1793900	2
12	X005306	1910033	1
13	Y016715	1735554	1
14	Y020193	1794054	1
15	M6x16 DIN912	1001492	2
16	M6x30 ISO7380	1009588	1
17	M6x30 DIN912	1001495	2
18	M6 DIN127B	1004414	1

1910162

Right side - Sheet 2/2

E000917 / C

BRAKE SERENYS 2014				Plan No.
				E000917 / C
Scale: 1:2	Drafted	Verified	Confirmed	
Date	16/01/2014	08/12/2017	08/12/2017	
Initials	SD	SD	PJ	