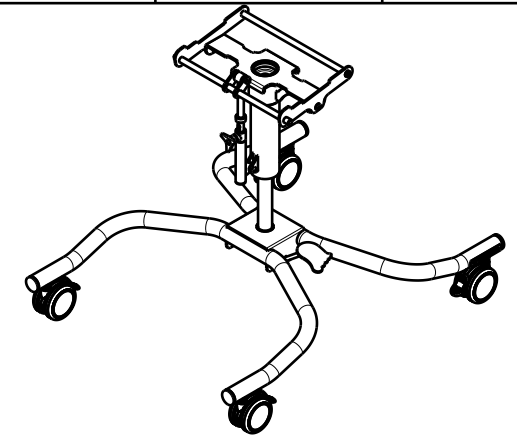


Material			
No.	Plan	Article	Quantity
1	YP04131	2851500	2
2	YP04140	2846454	1
3	YP04141	2846600	1
4	YP08964	2630800	1
5	YP08976 DP	26325(...)	1
6	YP08985	2632600	1
7	YP09011	2632854	1
8	X001016	1001682	3
9	X001119	1001554	4
10	XP01112	2871800	1
11	XP03115	GP24600	1
12	D6,4 DIN125A	1001564	2
13	Cap D32	1001610	4
14	D8,4 DIN125	1003199	4
15	M6x20	1006999	2
16	Sterknop M6x20	1009932	1
17	D8x1 DIN471	1001511	1
18	M8x25	1990501	1
19	M8x20	1992349	2
20	Cap D20	2990095	1
21	Sticker Vermeiren	T001051	1
22	M5x10 DIN912	1001488	4
23	Pin/Wheel M10x15	2992514	4
24	Wheel D75	2992513	4
25*	Gas Spring 220N	2992512	1



U82 (For GEMINI 2*)

EP00582 / C

* - Use Weicon Lock AN 302-43 to install gas spring

LOWER FRAME 40/ BAYO UPDATE 2020				Plan No.
				EP00582 / C
Scale: 1:7	Drafted	Verified	Confirmed	
Date	22/05/2021	30/06/2023	30/06/2023	
Initials	AZ	AZ	TK	