
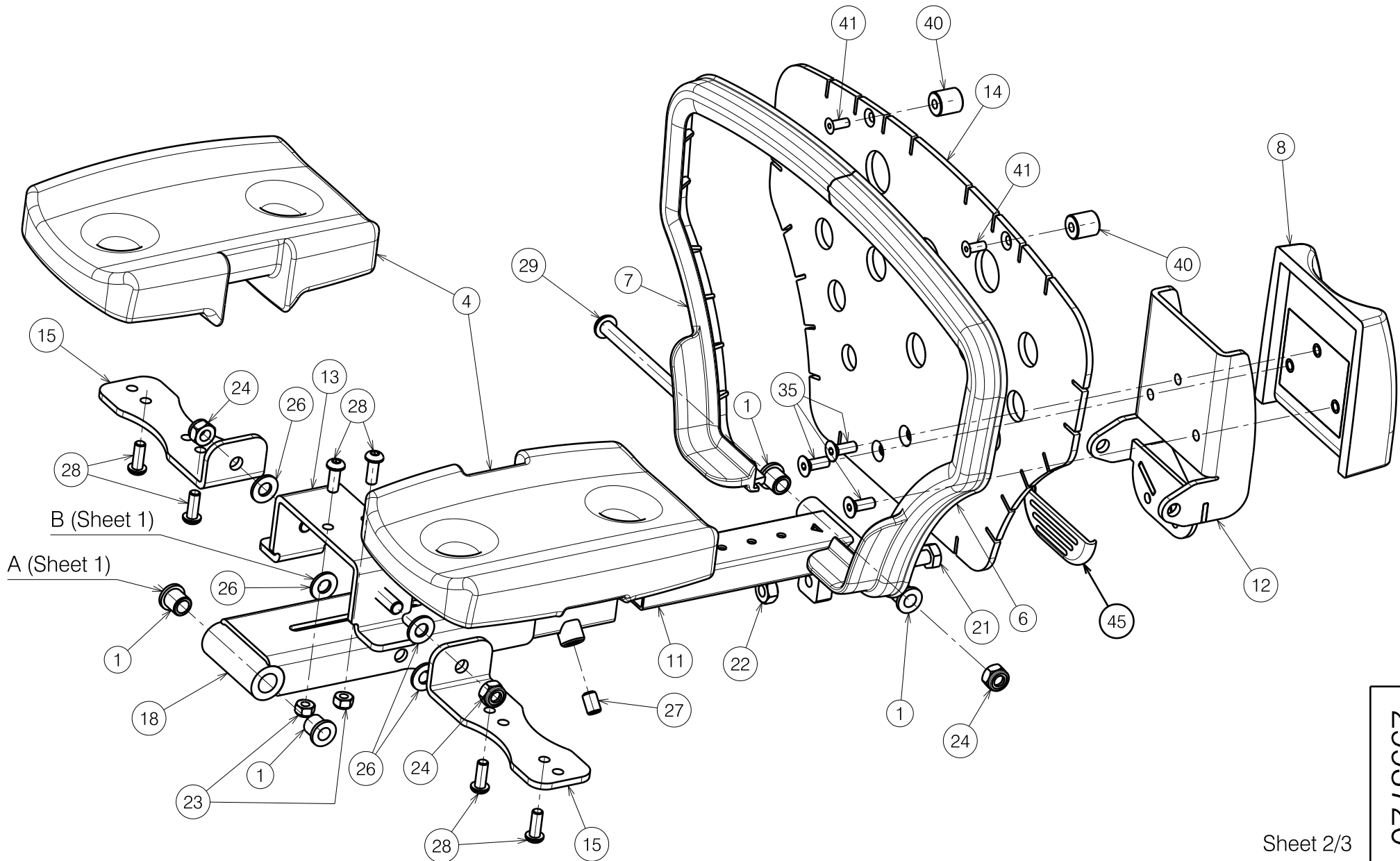


Sheet 1/3

2993720

E001102 / B


BZ10E TYPE SIGMA				Plan No.
				E001102 / B
Scale: 1:3	Drafted	Verified	Confirmed	
Date	18/06/2018	23/08/2018	23/08/2018	
Initials	SD	SD	PJ	



2993720

Sheet 2/3

E001102 / B

BZ10E TYPE SIGMA				Plan No.
				E001102 / B
Scale: 1:3	Drafted	Verified	Confirmed	
Date	18/06/2018	23/08/2018	23/08/2018	
Initials	SD	SD	PJ	


Material							
No.	Plan	Article	Quantity	No.	Plan	Article	Quantity
1	X002986	1995693	6	31	M8X20 ISO7380	1992349	4
2	X004032	1901832	2	32	M10X90 ISO7380	1998812	1
4	X004785	1905949 (S)	2	33	---	1990752	10
	X004733	1905733 (M)	2	34	M8X75 DIN912	1992973	1
5	X005007	1908266	2	35	M6X16 DIN7991	1994752	3
6	X005649	1914543	1	36	M8X80 DIN912	1998467	1
7	X005650	1914544	1	37	M10X65 ISO7380	2992473	1
8	X005050	1908389	1	38*	Cable	1906791	1
9	X005054	1908463	1	39*	Lock	1906792	1
10	X005056	1908464	1	40	X005094	1908701	2
11	Y017878	1777900	1	41	DIN 7337B	1908694	2
12	Y017925	1778054	1	42	35x45	1902851	2
13	Y018160	1776854	1	43	Y018159	1775654 (40)	1
14	Y022321	2044254	1		Y017927	1773954 (45)	1
15	Y018367	1778154	2		Y018145	1775954 (50)	1
16	Y018419	1777854	2	44*	---	1911733 (40)	1
17	Y018421	1776554	1		---	1911701 (45)	1
18	Y018426	1776754	1		---	1911734 (50)	1
19	Y018435	1777754	2	45	X004580	1904798	1
20	Y018436	1777654	2				
21	M8X50 DIN933	1001446	1				
22	M8 DIN934	1001671	1				
23	M6 DIN985	1001680	2				
24	M8 DIN985	1001682	13				
25	M10 DIN985	1001683	2				
26	M8 DIN125	1003199	10				
27	M8X12 DIN916	1004885	1				
28	M6X16 ISO7380	1008459	6				
29	M8X90 ISO7380	1903995	1				
30	---	1908165	1				

Sheet 3/3

2993720

* Not depicted

E001102 / B

BZ10E TYPE SIGMA				Plan No.
				E001102 / B
Scale: 1:3	Drafted	Verified	Confirmed	
Date	18/06/2018	23/08/2018	23/08/2018	
Initials	SD	SD	PJ	