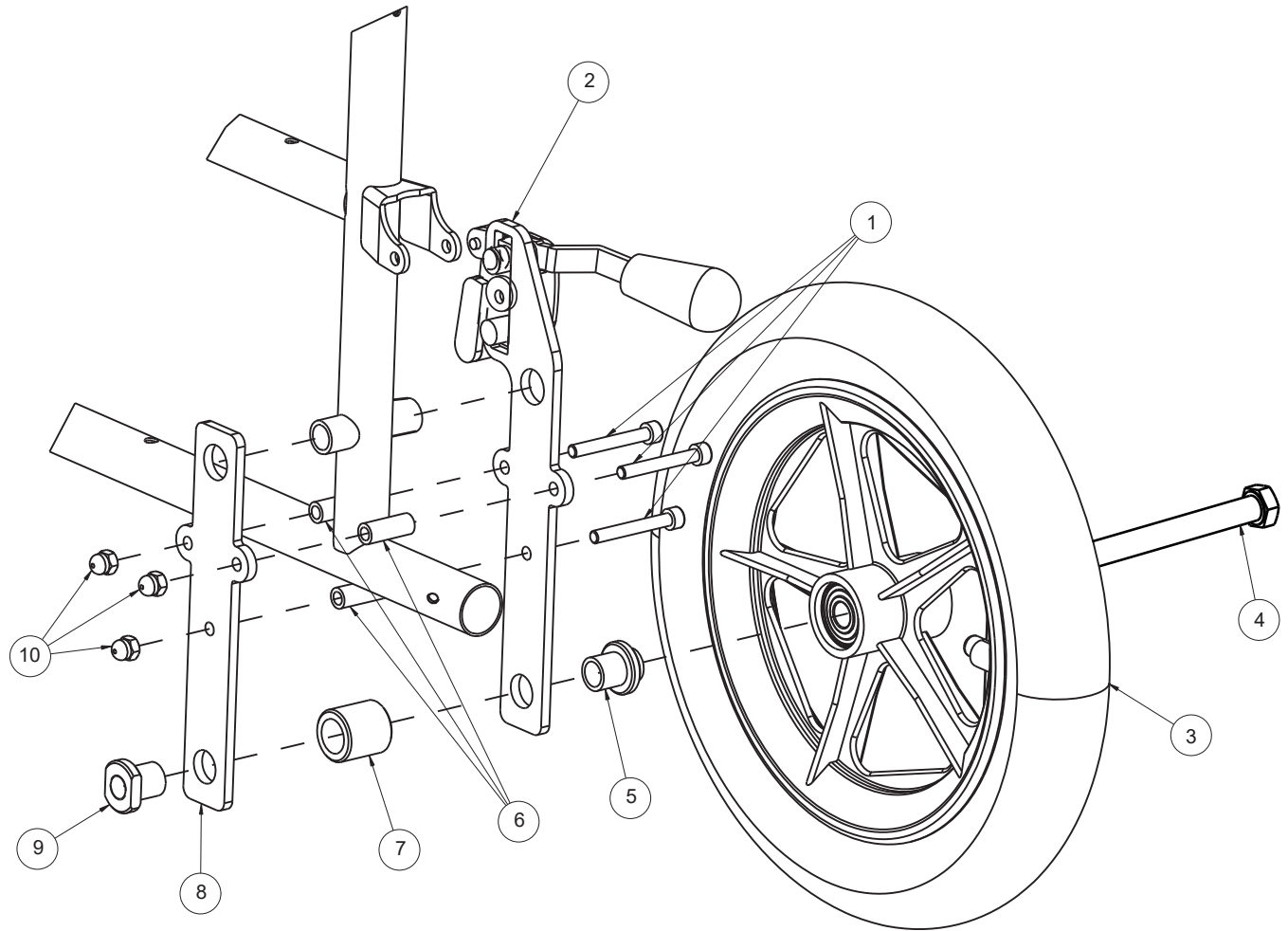



Material			
No.	Plan	Article	Number
1	---	1003109	6
2	EC00245	3991717(L)	1
	EC00246	3991718(R)	1
3	---	1914618	2
4	---	1009034	2
5	X001309	G051800	2
6	---	1C47100	6
7	X002265	1500054	2
8	XC00378	1C40254	2
9	X001308	G051700	2
10	---	1008492	6



\*C version modified point:Frame add a hole for anti-tipping.

EC00244/D

S50 T30 FIXED WHEEL				Plan No.
				EC00244/D
Scale:3:10	Drafted	Verified	Confirmed	
Date	08/06/2021	08/06/2021	08/06/2021	
Init.	AZ	JJQ	JJQ	