


E000810 / L

Sheet 1/2

Old version: E000635

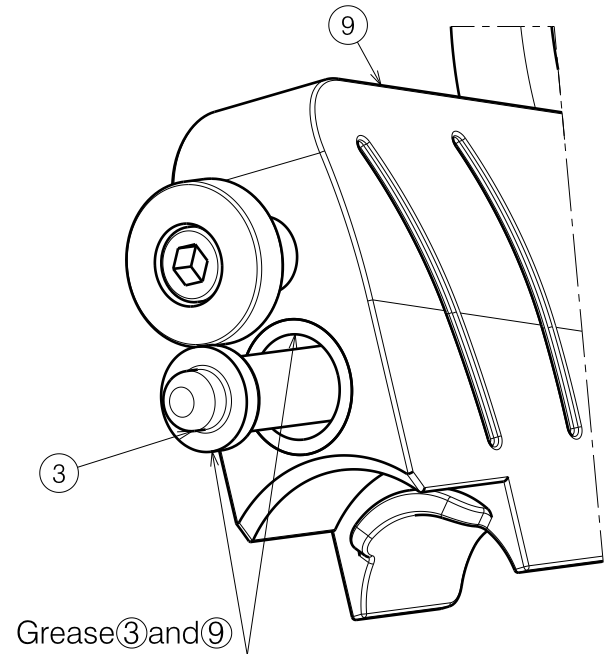
LEGREST BZ7/BZ8 TYPE V-SERIES 2012				Plan No. / Plannr.
				E000810 / L
Scale / Schaal: 1:4	Drafted / Getekend	Verified / Nagezien	Confirmed / Bevestigd	
Date / Datum	13/07/2012	27/03/2019	27/03/2019	
Init. / Init.	JG	SD	PJ	

Material			
No.	Plan	Article	Quantity
1	X001016	1001682	1
2	X001119	1001554	2
3	X004417	1719200	1
4	X004570	1904646 (L)	(39-42) 1
	X004571	1904647 (R)	(39-42) 1
	X004457	1904475 (L)	(44-46) 1
	X004453	1904210 (R)	(44-46) 1
	X004572	1904648 (L)	(48-50) 1
	X004573	1904649 (R)	(48-50) 1
5	X004464	1904212	1
6	X004465	1904213	1
7	X004658	1904968	1
8	X004660	1905195	1
9	X004665	1905744	1
10	X004666	1905731	1
11	X004687	1905639	1
12	X004690	1905735	1
13	X004692	1906013	1
14	X004701	1905737 (L)	1
	X004710	1905738 (R)	1
15A	X004713	1905734	1
15B	Y021864	F007208	0.5
16	X004733	1905733 (M)	(46-48-50) 1
	X004785	1905949 (S)	(39-42-44) 1
17	X004735	1905732	1
18	X004736	1905736	2
19	X004739	1905739	1
20	X004742	1739500	2
21	X004744	1737100	1
22	X004773	1905885	1
23	X004784	1905950	1
24	X004787	1905947	1
25	X004795	1905970	2
26*	X004911	1907230 (S)	1
	X004912	1907232 (M)	1

Material			
No.	Plan	Article	Quantity
27	X005028	1772100	1
29	X005046	1777100	1
30	X005047	1908420	1
31	X005055	1908419	1
32	Y016499	F006269 (BZ8)	1
	Y017321	F006420 (BZ7)	1
33	Y016501	1733500	1
34	Y018551	1771654 (L)	1
	Y018552	1771554 (R)	1
35	Y018568	1771754	1
37	M6x16 DIN912/8.8	1001492	2
38	M6x25 DIN912/8.8	1001494	2
39	M6x35 DIN912/8.8	1001496	1
41	M6 DIN125A	1001564	1
42	M8 DIN127A	1001570	1
44	M5 DIN985	1001679	1
45	M6 DIN985	1001680	3
46	M6x45 DIN912/8.8	1003109	3
48	M6x50 DIN912/8.8	1007970	1
49	M6x12mm	1008492	3
50	---	1008674	1
51	M6 Type RT	1905500	2
52	M6x25 Type KT	1905501	2
53	φ4x24 DIN6325	G0409	1
54	---	1905642	1
56	M8x25	1990501	1
57A	M5x10 DIN7991/8.8	1999977	2
57B	φ3.9x16 DIN7982	1005767	2
58	X005025	1772000	1
59	M6x16 DIN7991/8.8	1994752	2
60	X004423	1717300	1

Option A: Knee protector PU
Option B: Knee protector V40
* Calf rest cushions are optional

Option B complete:
E001015 = 1912112



Grease ③ and ⑨

LEGREST BZ7/BZ8 TYPE V-SERIES 2012

Plan No. / Plannr.

E000810 / L

Scale / Schaal: 1:4	Drafted / Getekend	Verified / Nagezien	Confirmed / Bevestigd
Date / Datum	13/07/2012	27/03/2019	27/03/2019
Init. / Init.	JG	SD	PJ



E000810 / L

Sheet 2/2

Old version: E000635