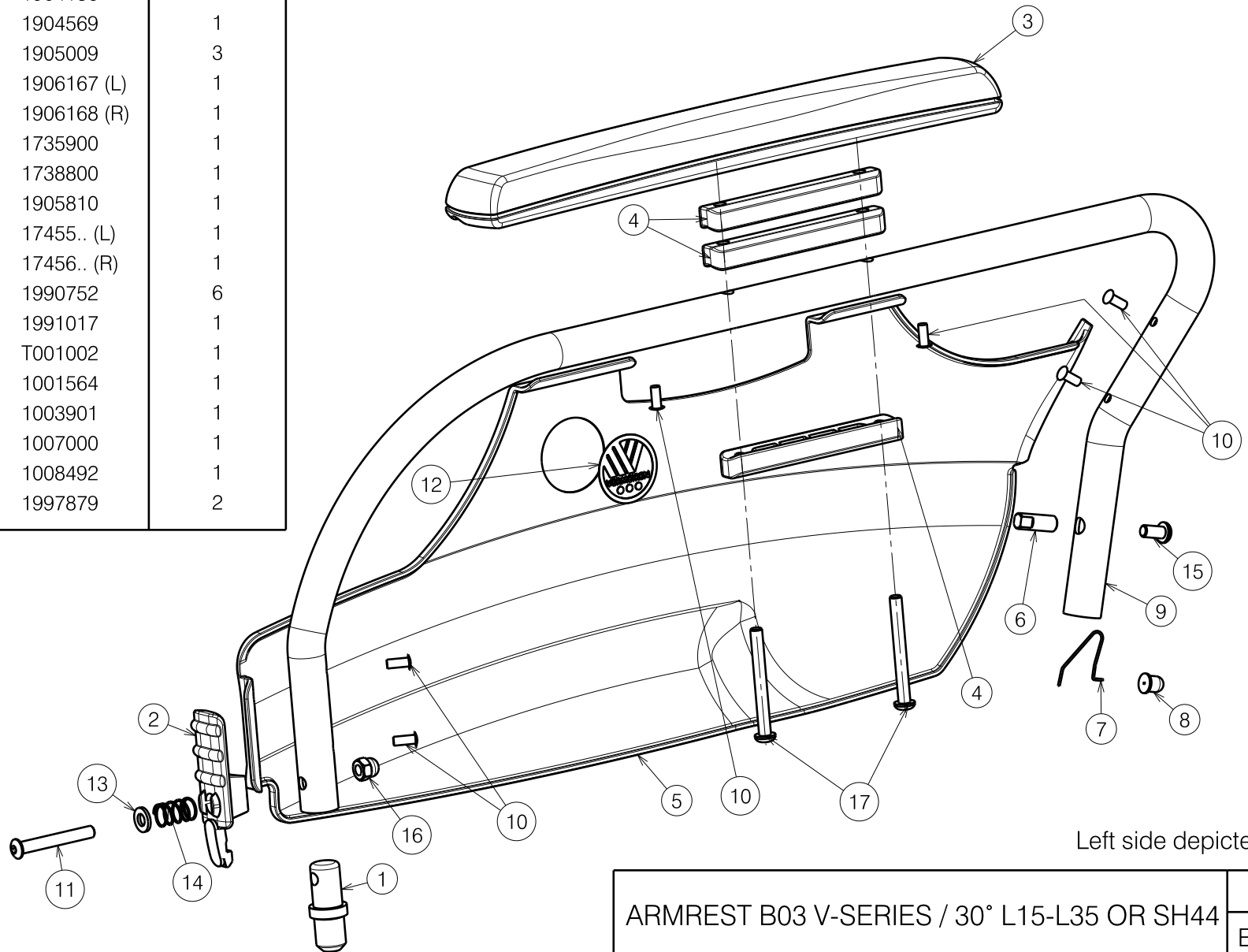



| Material |               |             |          |
|----------|---------------|-------------|----------|
| No.      | Plan          | Article     | Quantity |
| 1        | X004421       | 1904140     | 1        |
| 2        | X004422       | 1904136     | 1        |
| 3        | X004460       | 1904569     | 1        |
| 4        | X004491       | 1905009     | 3        |
| 5        | X004561       | 1906167 (L) | 1        |
|          | X004562       | 1906168 (R) | 1        |
| 6        | X004721       | 1735900     | 1        |
| 7        | X004766       | 1738800     | 1        |
| 8        | X004767       | 1905810     | 1        |
| 9        | Y015732       | 17455.. (L) | 1        |
|          | Y015733       | 17456.. (R) | 1        |
| 10       | ---           | 1990752     | 6        |
| 11       | ---           | 1991017     | 1        |
| 12       | ---           | T001002     | 1        |
| 13       | ---           | 1001564     | 1        |
| 14       | ---           | 1003901     | 1        |
| 15       | ---           | 1007000     | 1        |
| 16       | ---           | 1008492     | 1        |
| 17       | M6x55 ISO7380 | 1997879     | 2        |



Left side depicted

2992198

E000835 / C

|  |            |            |            |   |
|--|------------|------------|------------|---|
| ARMREST B03 V-SERIES / 30° L15-L35 OR SH44 |            |            |            | Plan No.  |
|  |            |            |            | E000835 / C   |
| Scale: 1:3                                 | Drafted    | Verified   | Confirmed  |  |
| Date                                       | 05/09/2012 | 16/05/2019 | 16/05/2019 |   |
| Initials                                   | SV         | SD         | PJ         |   |