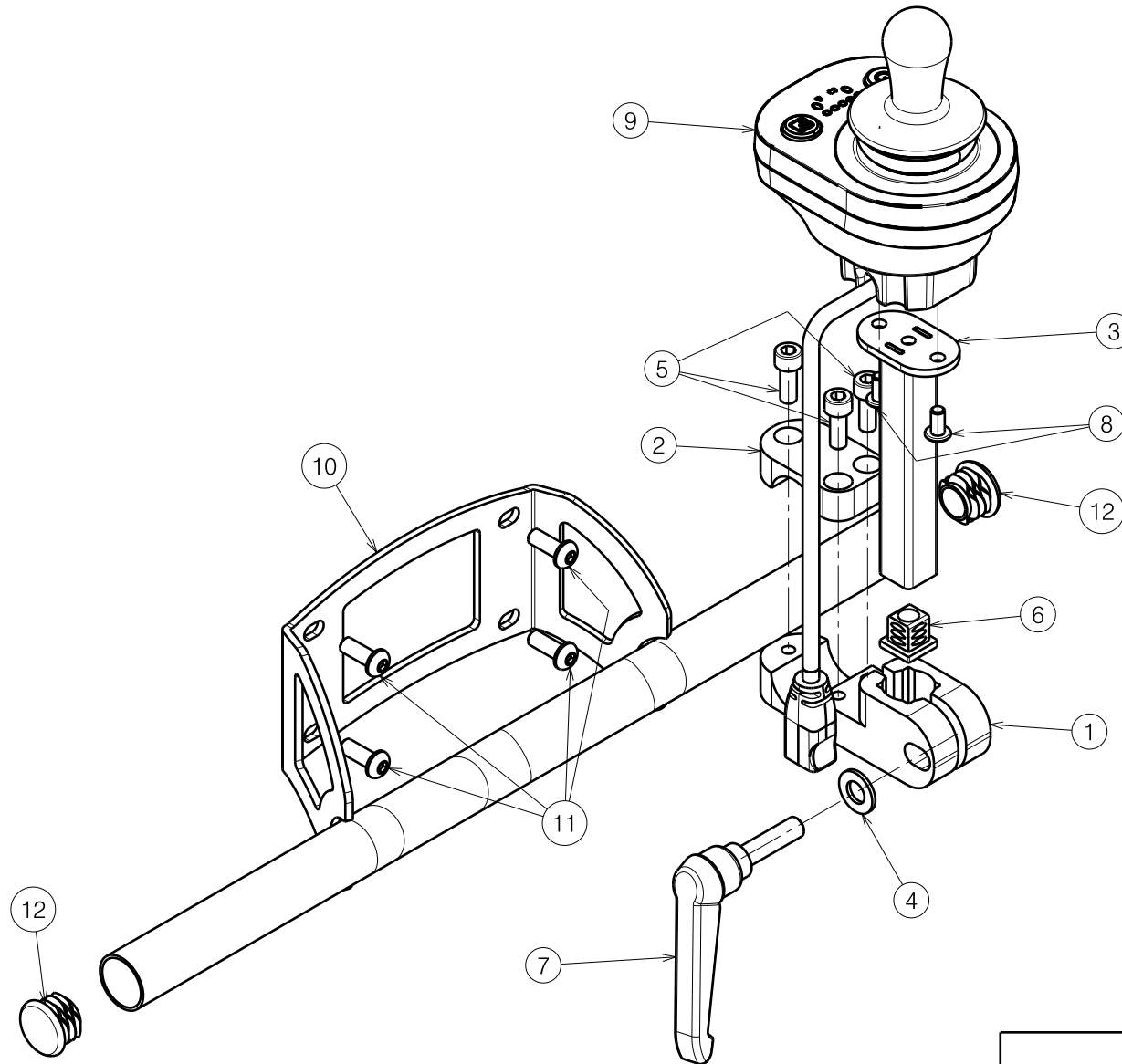



Material			
No.	Plan	Article	Quantity
1	XP01417 (A)	2706799	1
	X005632 (B)	2037299	1
2	XP01418 (A)	2706899	1
	X005633 (B)	2037399	1
3	Y022797	2048554	1
4	X001119	1001554	1
5	M6x16 DIN912	1001492	3
6	---	1005899	1
7	M8x30	1005860	1
8	M5x10 ISO7380	1007063	2
9	SE09 Linx	1914000	1
10*	Y020044	1790254	1
11*	M6x16 ISO7380	1008459	4
12*	D22	1990648	2

* For use on L34 / L14
(A) for tube $\varnothing 22.2$
(B) for tube $\varnothing 25.4$



E001091 / C

SECONDARY CONTROLLER SE09 LINX				Plan No.
				E001091 / C
Scale: 2:5	Drafted	Verified	Confirmed	
Date	24/04/2018	02/10/2019	02/10/2019	
Initials	SD	SD	PJ	