


Assembly Notes:

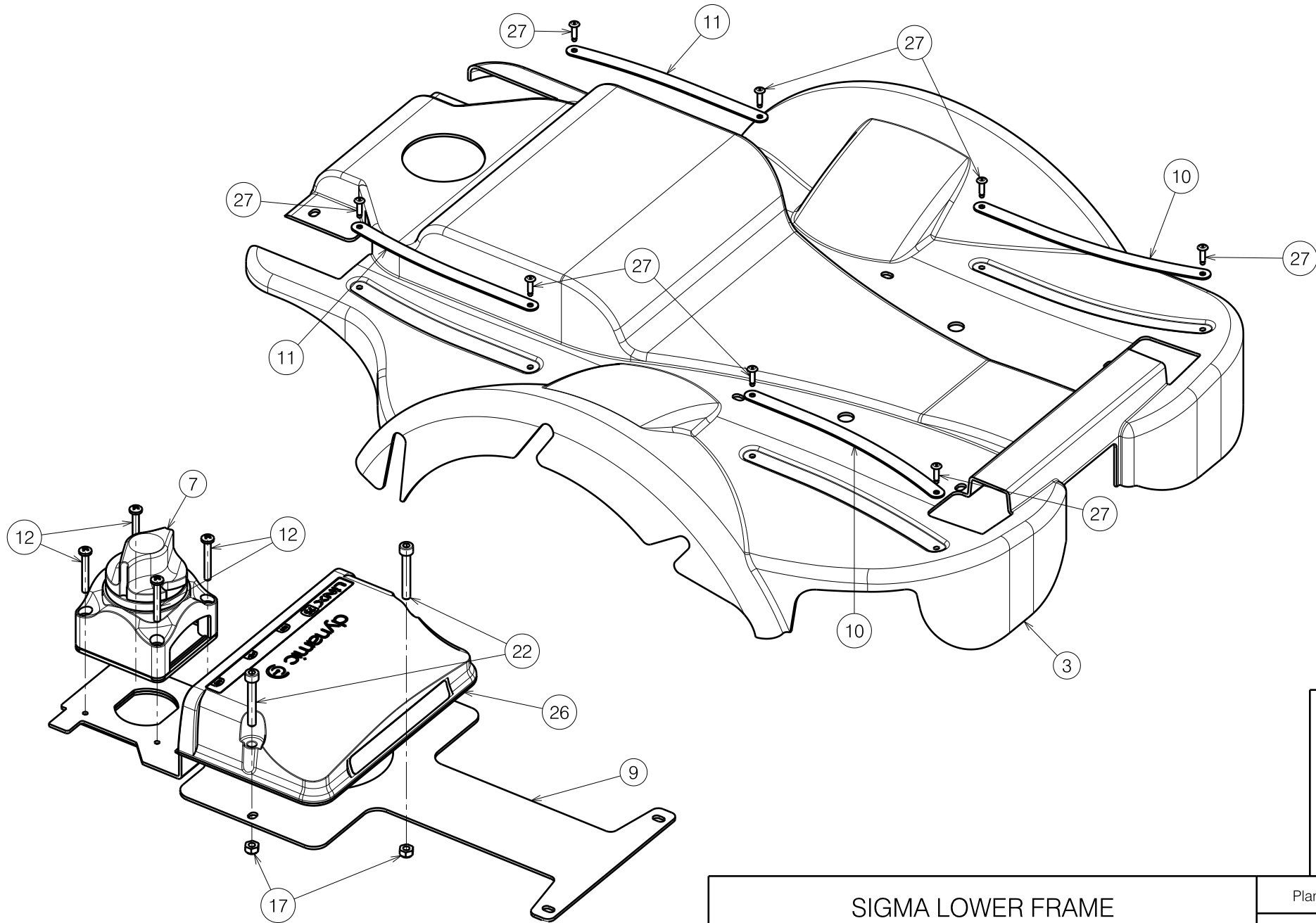
Apply grease on bolts (37)

Fix motor and front light cables
with tie-wrap (25) to frame hooks (A)

E001094 / D


2993719

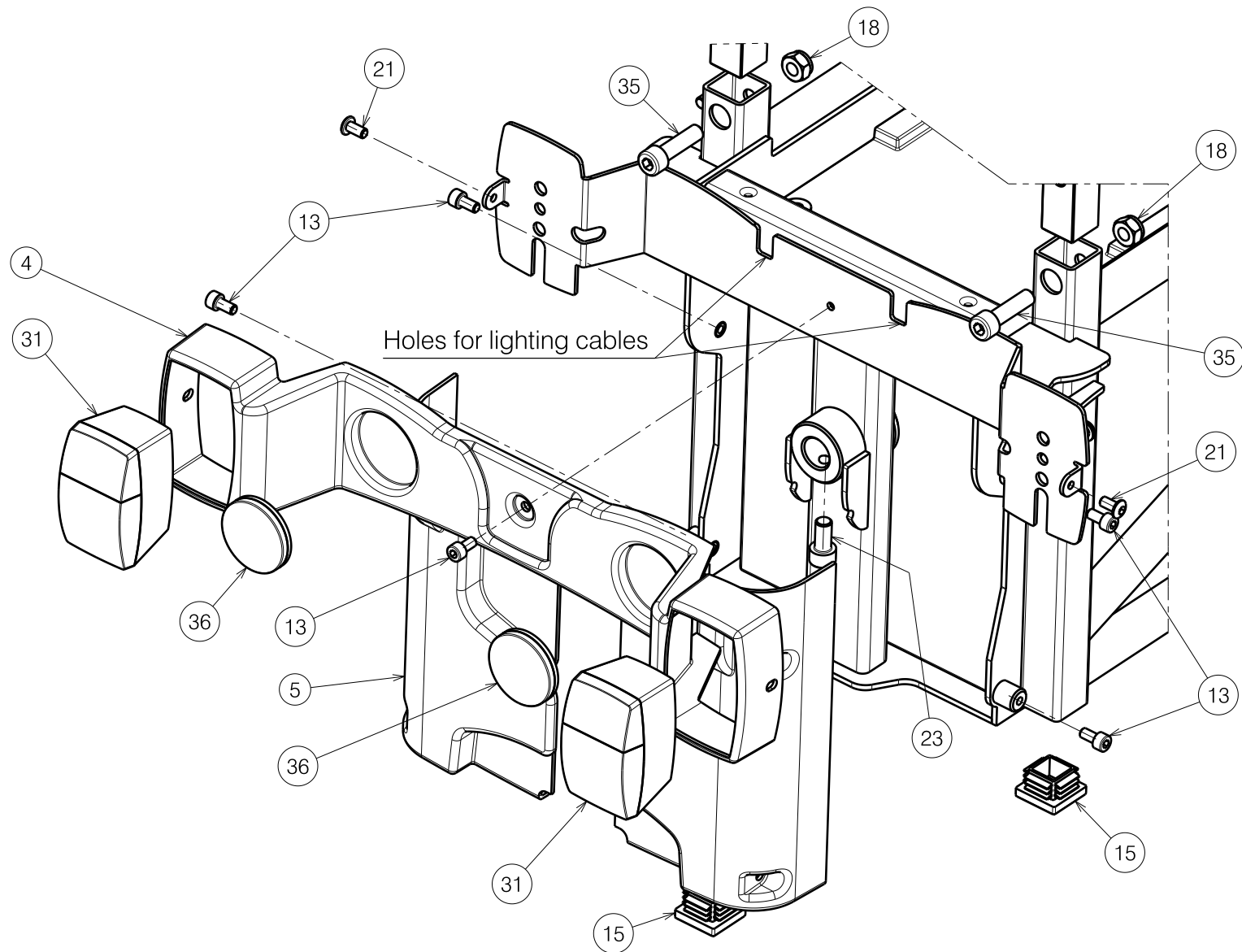
SIGMA LOWER FRAME				Plan No. E001094 / D
Sheet 1/4				
Scale: 11:50	Drafted	Verified	Confirmed	
Date	14/06/2018	27/11/2018	27/11/2018	
Initials	SD	SD	PJ	




2993719

E001094 / D

SIGMA LOWER FRAME Sheet 2/4				Plan No.
				E001094 / D
Scale: 3:10	Drafted	Verified	Confirmed	
Date	14/06/2018	27/11/2018	27/11/2018	
Initials	SD	SD	PJ	



2993719

SIGMA LOWER FRAME				Plan No. E001094 / D
Sheet 3/4				
Scale: 11:50	Drafted	Verified	Confirmed	
Date	14/06/2018	27/11/2018	27/11/2018	
Initials	SD	SD	PJ	


E001094 / D

Material							
No.	Plan	Article	Quantity	No.	Plan	Article	Quantity
1	X005646	2044500	2	21	M5x10 ISO7380	1007063	2
2A	X005653	2044762	2	22	M5x35 DIN912	1007961	2
2B	X005860	2055562	2	23	M8x16 DIN912	1915411	3
3	X005737	1914520	1	24	M6x10 ISO7380	1900641	2
4	X005749	1914536	1	25	---	W620262	2
5	X005742	1914537	1	26	75A	1912302	1
6	X005751	1914538	1	27	Ø3x10	1908849	8
7	XC00564	3992376	1	28	12V - 80Ah	1909646	2
8	Y022658 DP	20450..	1	29	150 A	1910488	1
9	Y023222	2054354	1	30	M10x DIN439B	1911868	2
10	Y022741	20452..	2	31	Rear Light	1914550	2
11	Y022742	20453..	2	32	400 N	1914552	2
12	M4x30 DIN7985	1001487	4	33	M8x25 DIN912	1001499	2
13	M5x10 DIN912	1915412	15	34	D8x40	1992510	2
14A	Y023178	2059862	2	35	M8x30 DIN912	1915414	6
14B	Y023384	2055662	2	36	---	1999996	2
15	25x25	1001617	4	37	M12-Ø16x100 ISO7379	1914812	2
17	M5 DIN985	1001679	2	38	M5x16 DIN912	1915415	2
18	M8 DIN985	1915413	8				

2B & 14B for use with SE42 lift module

2993719

E001094 / D

SIGMA LOWER FRAME				Plan No.
Sheet 4/4				E001094 / D
Scale: 11:50	Drafted	Verified	Confirmed	
Date	14/06/2018	27/11/2018	27/11/2018	
Initials	SD	SD	PJ	