

A Use WEICONLOCK AN 302-43.

Degrease the screws before using the adhesive.

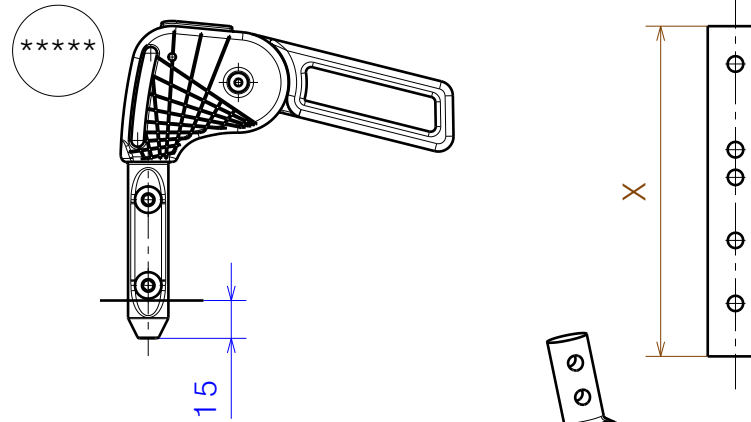
Drawing shows only right side

BACKREST FOLDED WITH HEIGHT ADJUSTMENT AND FOLDABLE HANDLE				Plan No. EP00375/ F
Page 1/2				
Scale: 1:3	Drafted	Verified	Confirmed	
Date	14/02/2019	31/03/2021	31/03/2021	
Initials	AS	MK	TK	

EP00375 / F

Material			
No.	Plan	Article	Quantity
1	YP08101 (25-27,5)	2607665	1
	YP07077(35-45)	2745465	1
	YP07081(40-50)	2745565	1
2***	YP08103(25-27,5)	2607765	1
*****	YP07062( 35-40)	2744565	1
	YP07060(40-45)	2744665	1
	YP07061 (45-50)	2744765	1
	YP07063(50-55)	2744865	1
	3	XP01632	GP09399
4	XP01631	GP09299	1
5	XP01861	GP12900	1
6	XP01633	GP09500	1
7	XP01862	GP13200	1
8	XP03093	GP00286	1
9	XP02407	GP17800	1
10	XP03203	GP25700	1
11	M4x12	2994126	2
12	M5x12 DIN7991	2994076	2
13	M6	2994059	3
14	WASHERM6	2994068	1
15	M6x30DIN7991	2994116	2
16	M6x30	1992721	1
17	Washer M8	1001556	2
18	M6x10 DIN916	2994284	2
* 19	M6X10	2994127	2
20	Fold. push handle	EP00246	1
*21	Cap D22	1990648	1
*22	Y004353	F000411	1
*23	---	1000899	1
*24	---	2993049	1
25	---	2991192	1
26	---	T001063	0,05m

- \* When unused folding handle
- \*\* Used to connect left and right side, use one per wheelchair
- \*\*\* Folding handle not possible for YP08103!
- \*\*\*\* When the folding handle is not used, the backrest is 4cm lower
- \*\*\*\*\* For sizes 35-40(YP07062), pos. 20 should be cut by 15mm and a 2.5mm strip should be used

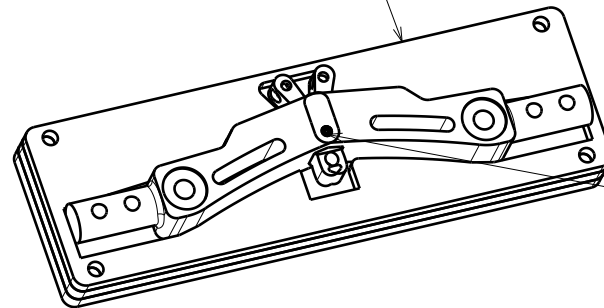


Plan	X
YP08103(25-27,5)	64mm
YP07062( 35-40)	146mm
YP07060(40-45)	173mm
YP07061 (45-50)	223mm
YP07063(50-55)	273mm

USE RADIAL RIVETING MACHINE

M600033

USE RADIAL RIVETING MACHINE ,SET THE VALUE OF MOTION 19.5



BACKREST FOLDED WITH HEIGHT ADJUSTMENT  
AND FOLDABLE HANDLE

Plan No.

Page 2/2

EP00375/ F

Scale: 1:3

Drafted

Verified

Confirmed

Date

14/02/2019

31/03/2021

31/03/2021

Initials

AS

MK

TK

