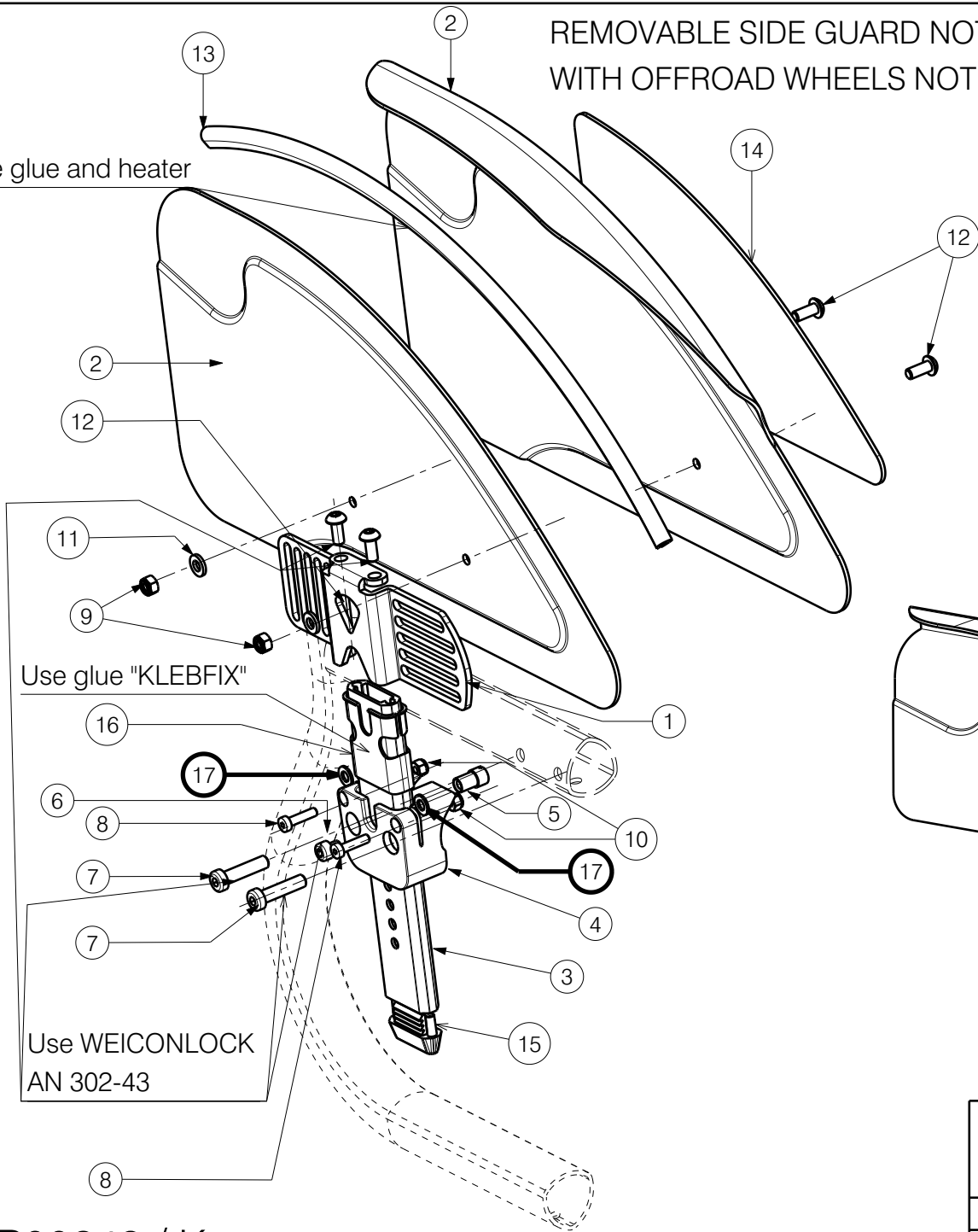


REMOVABLE SIDE GUARD NOT POSSIBLE WITH CAMBER 6°
 WITH OFFROAD WHEELS NOT POSSIBLE 4° AND 6°

Use glue and heater

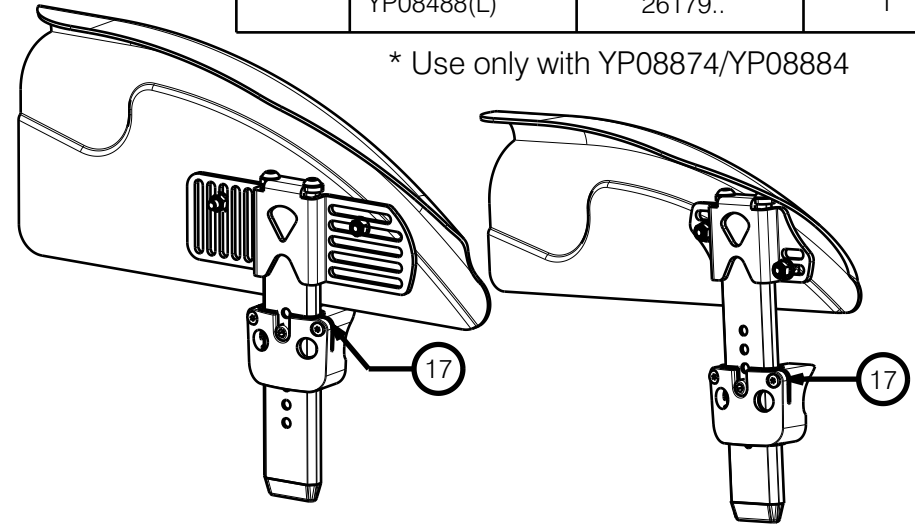


Use glue "KLEBFIX"

Use WEICONLOCK
AN 302-43

Material			
No.	Plan	Article	Quantity
1	* YP08854(R)Small	2642254	1
	* YP08855(L)Small	2642354	1
	YP09262(R)Large	2642454	1
	YP09263(L)Large	2642554	1
2a	YP07443(R)	27635..	1
	YP07444(L)	27636..	1
2b	YP07999(R)	26176..	1
	YP08000(L)	26177..	1
2c	YP08874(R)	26550..	1
	YP08884(L)	26551..	1
2d	YP07446(R)	27637..	1
	YP07447(L)	27638..	1
2e	YP08487(R)	26178..	1
	YP08488(L)	26179..	1

* Use only with YP08874/YP08884



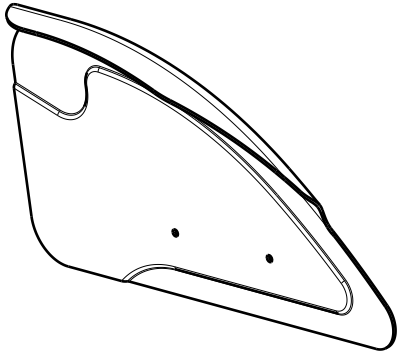
Degrease the screws before using the glue.

EP00248 / K

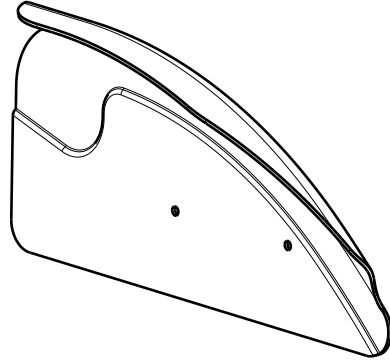
| For assembling use document S-PL.40.06

REMOVABLE SIDE GUARD TRIGO 36-50				Plan No.
Page 1/3				EP00248/ K
Scale: 1:3	Drafted	Verified	Confirmed	
Date	20/10/2017	26/02/2024	26/02/2024	
Initials	AS	AZ	AS	

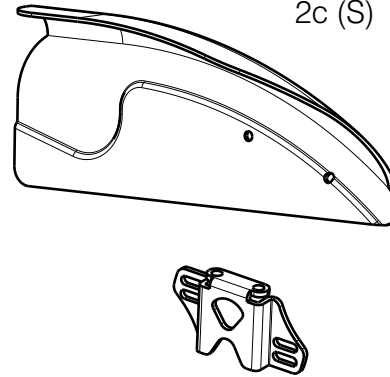
2a (L)



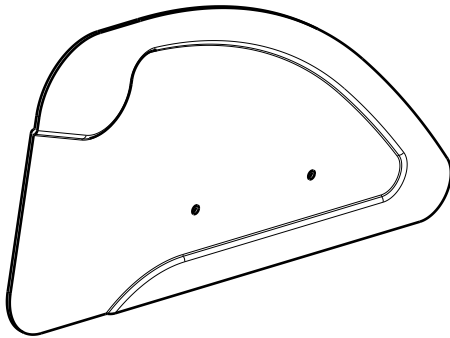
2b (M)



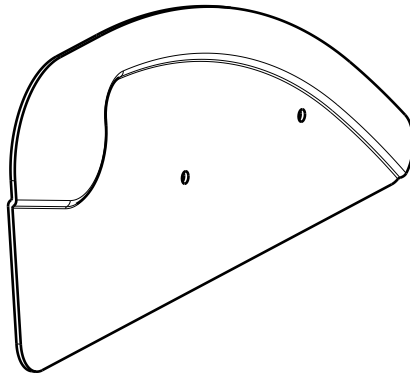
2c (S)



2d (L)



2e (S)

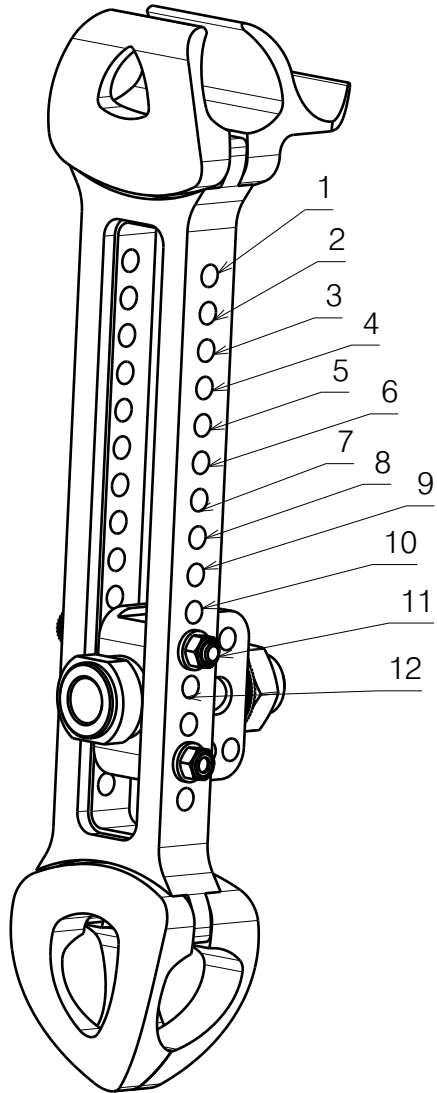


Material			
No.	Plan	Article	Quantity
3	XP03353	GP27599	1
4	XP03335	GP27499	1
5	XP01730	GP11200	1
6	M5X6DIN912	1997822	1
7	M6x25	2994897	2
8	M4x16	2994070	2
9	NutM5black	2994006	2
10	NutM4	1001678	2
11	M5DIN125A	2994069	4
12	M5x12	2994074	4
13	---	1003299	0,8m
14	XP02274(R) (Large)	2996467	1
	XP02275(L) (Large)	2996468	1
	XP02272(R) (Small)	2996465	1
	XP02273(L) (Small)	2996466	1
15	XP03080	2996656	1
16	XP03083	2996657	1
17	M5DIN125A	2996010	2

| For assembling use document S-PL.40.06

EP00248 / K

REMOVABLE SIDE GUARD TRIGO 36-50				Plan No.
Page 2/3				EP00248/ K
Scale: 1:3	Drafted	Verified	Confirmed	
Date	20/10/2017	26/02/2024	26/02/2024	
Initials	AS	AZ	AS	



SEAT HEIGHT REAR 36-50																						
	315	325	335	345	355	365	375	385	395	405	415	425	435	445	455	465	475	485	495	505	515	525
18"		3	4	5	6	7	8	9	10	11	12											
20"			1	2	3	4	5	6	7	8	9	10	11	12								
22"					1	2	3	4	5	6	7	8	9	10	11	12						
24"								1	2	3	4	5	6	7	8	9	10	11	12			
24"PU							1	2	3	4	5	6	7	8	9	10	11	12				
26"											1	2	3	4	5	6	7	8	9	10	11	12

SMALL	26550..
	26551..
Midium	26176../26177..
	26178../ 26179..
LARGE	27635../27636..
	27637../ 27638..
not possible 15mm	

| For assembling use document S-PL.40.06

EP00248 / K

REMOVABLE SIDE GUARD TRIGO 36-50				Plan No.
				EP00248/ K
Scale: 1:3	Drafted	Verified	Confirmed	
Date	20/10/2017	26/02/2024	26/02/2024	
Initials	AS	AZ	AS	