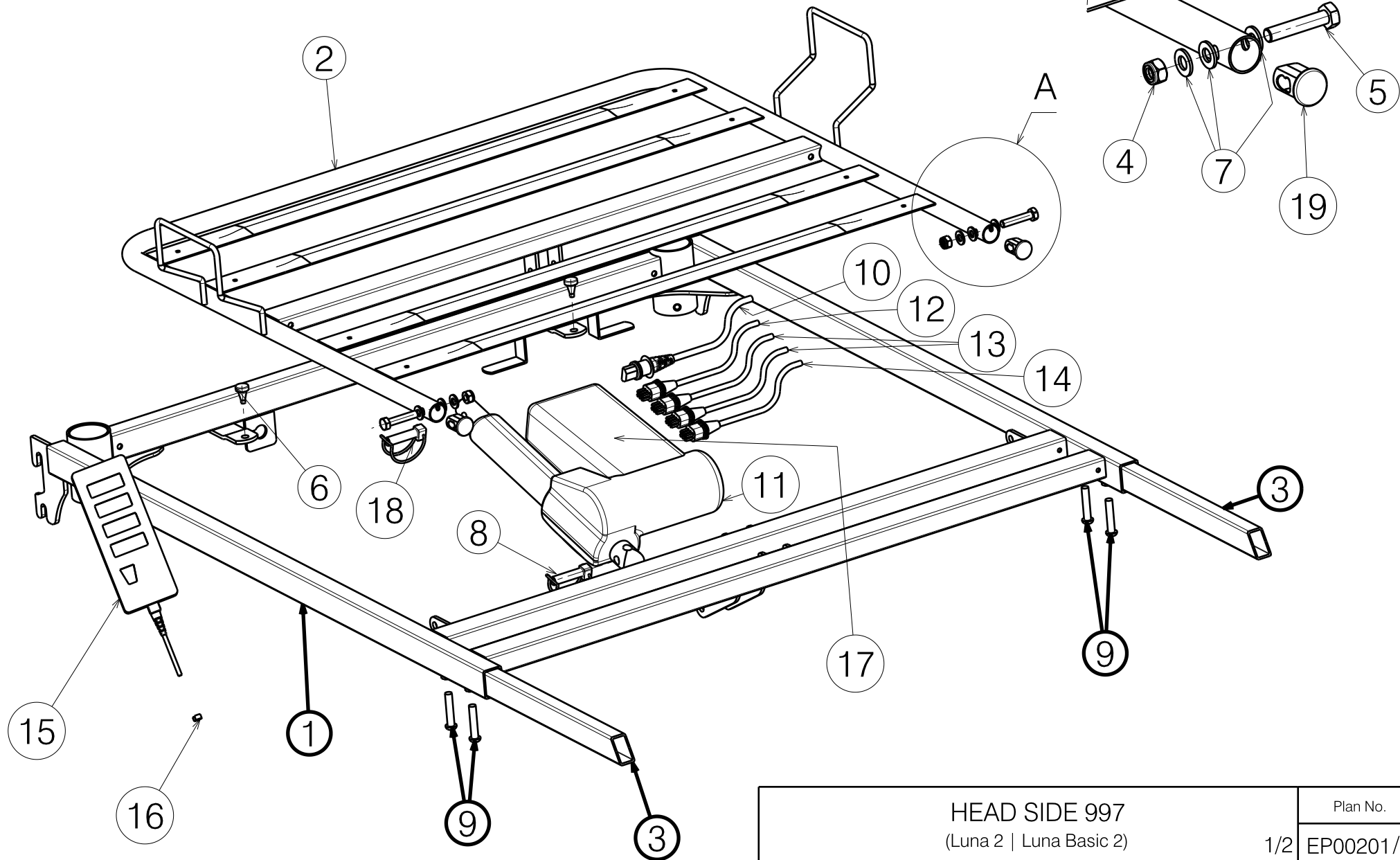


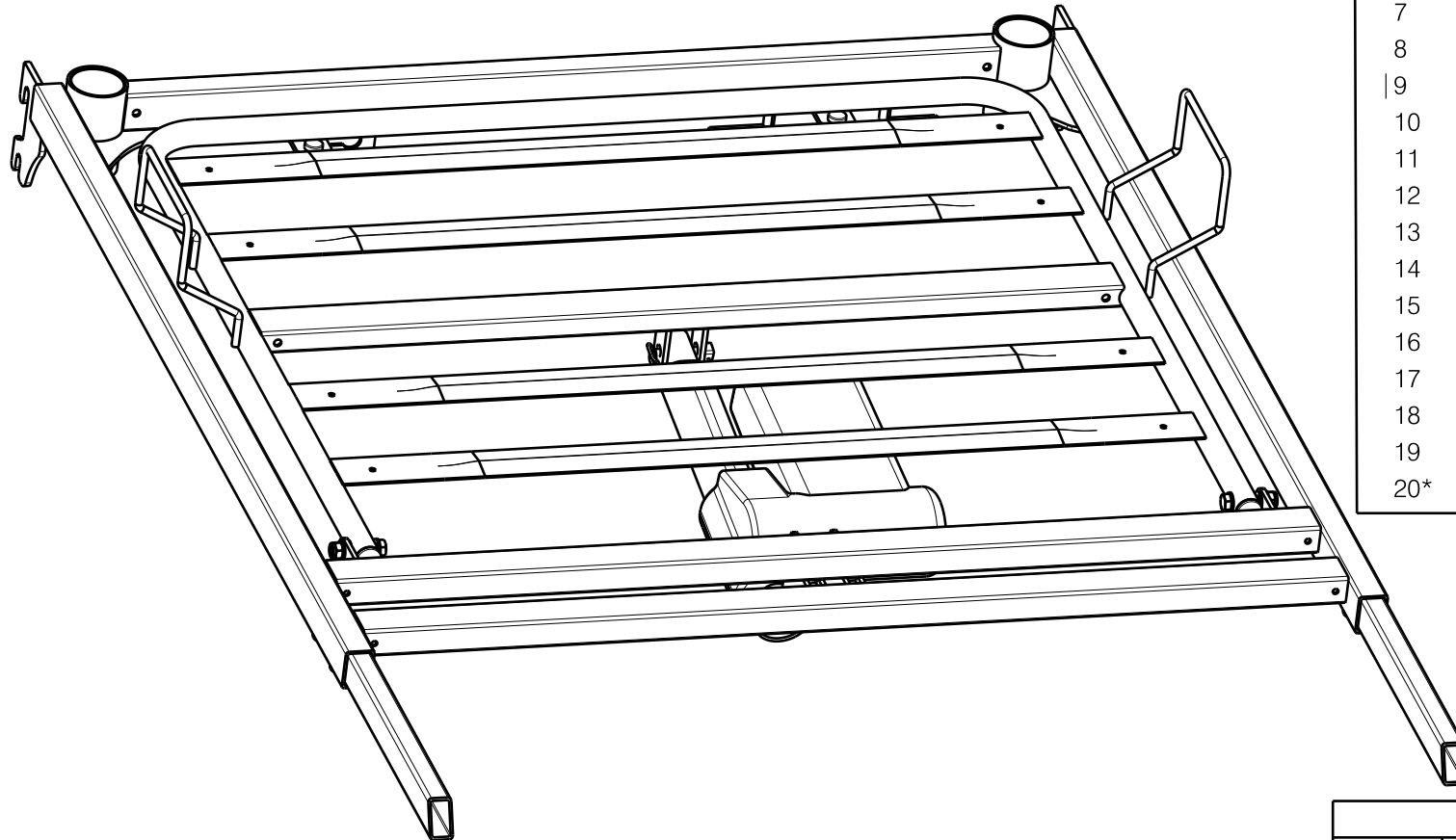
Detail A  
Scale: 1:3



EP00201 / I

HEAD SIDE 997 (Luna 2   Luna Basic 2)				Plan No. EP00201 / I
Scale: 1:6	Drafted	Verified	Confirmed	1/2
Date	25/03/2015	3/12/2020	3/12/2020	
Initials	AZ	PM	TK	






Material			
No.	Plan	Article	Quantity
1	YP05077 DP	2899337	1
2	YP05099 DP	2899537	1
3	YP08733	2626300	2
4	X001016	1001682	2
5	M8X40 DIN931	2993705	2
6	1001637	1001637	2
7	D8,4 DIN125	1003199	6
8	---	1998885	1
9	M8x40	1008739	4
10	---	1902971	1
11	Motor LA27	1996201	1
12	---	1996204	1
13	---	1996205	2
14	---	1996203	1
15	---	1905446	1
16	---	1995837	1
17	---	1996206	1
18	---	1991481	1
19	XP02064	2993688	2
20*	---	W620228	1

\* not depicted

Mounted with:

Luna Basic 2			
No.	Plan	Description	Quantity
1	E000146	Serum holder	1

EP00201 / I

HEAD SIDE 997				Plan No.
(Luna 2   Luna Basic 2)				2/2 EP00201 / I
Scale: 1:6	Drafted	Verified	Confirmed	
Date	25/03/2015	3/12/2020	3/12/2020	
Initials	AZ	PM	TK	