

Use WEICONLOCK AN 302-43.

Degrease the screws before using the adhesive.

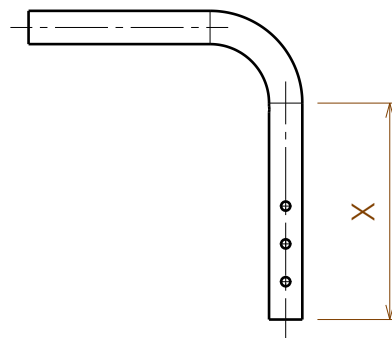
Detail B
Scale: 3:5

Drawing shows only right side

EP00373 / E

BACKREST ADJUSTABLE ANGLE AND ADJUSTABLE HIGHT TRIGO Page 1/2				Plan No. EP00373/ E
Scale: 3:10	Drafted	Verified	Confirmed	
Date	13/02/2019	31/03/2021	31/03/2021	
Initials	AS	MK	TK	

Material			
No.	Plan	Article	Quantity
1	YP07083(35-45)	2745665	1
	YP07084(40-50)	2745765	1
2	YP08608 (30-35)	2622965	1
	YP08609 (35-40)	2623065	1
	YP08610 (40-45)	2623165	1
	YP08611 (45-50)	2623265	1
3	XP03203	GP25700	1
4	XP01862	GP13200	1
5	M4x12	2994126	2
6	XP01632	GP09399	1
7	XP01861	GP12900	1
8	M5x12 DIN 7991	2994076	2
9	M6x30	1992721	1
10	M6	2994059	1
11	WASHERM6	2994068	1
12	Hand grip GR-KS	2993809	1
*	GR-ERGO-S(120/80)	2993810	1
13	Y004353	F000411	1



Plan	X
YP08608 (30-35)	143,1mm
YP08609 (35-40)	193,1mm
YP08610 (40-45)	243,1mm
YP08611 (45-50)	293,1mm

* Optional (depending on the length)

EP00373 / E

BACKREST ADJUSTABLE ANGLE AND ADJUSTABLE HIGHT TRIGO Page 2/2				Plan No.
				EP00373/ E
Scale: 3:10	Drafted	Verified	Confirmed	
Date	13/02/2019	31/03/2021	31/03/2021	
Initials	AS	MK	TK	