

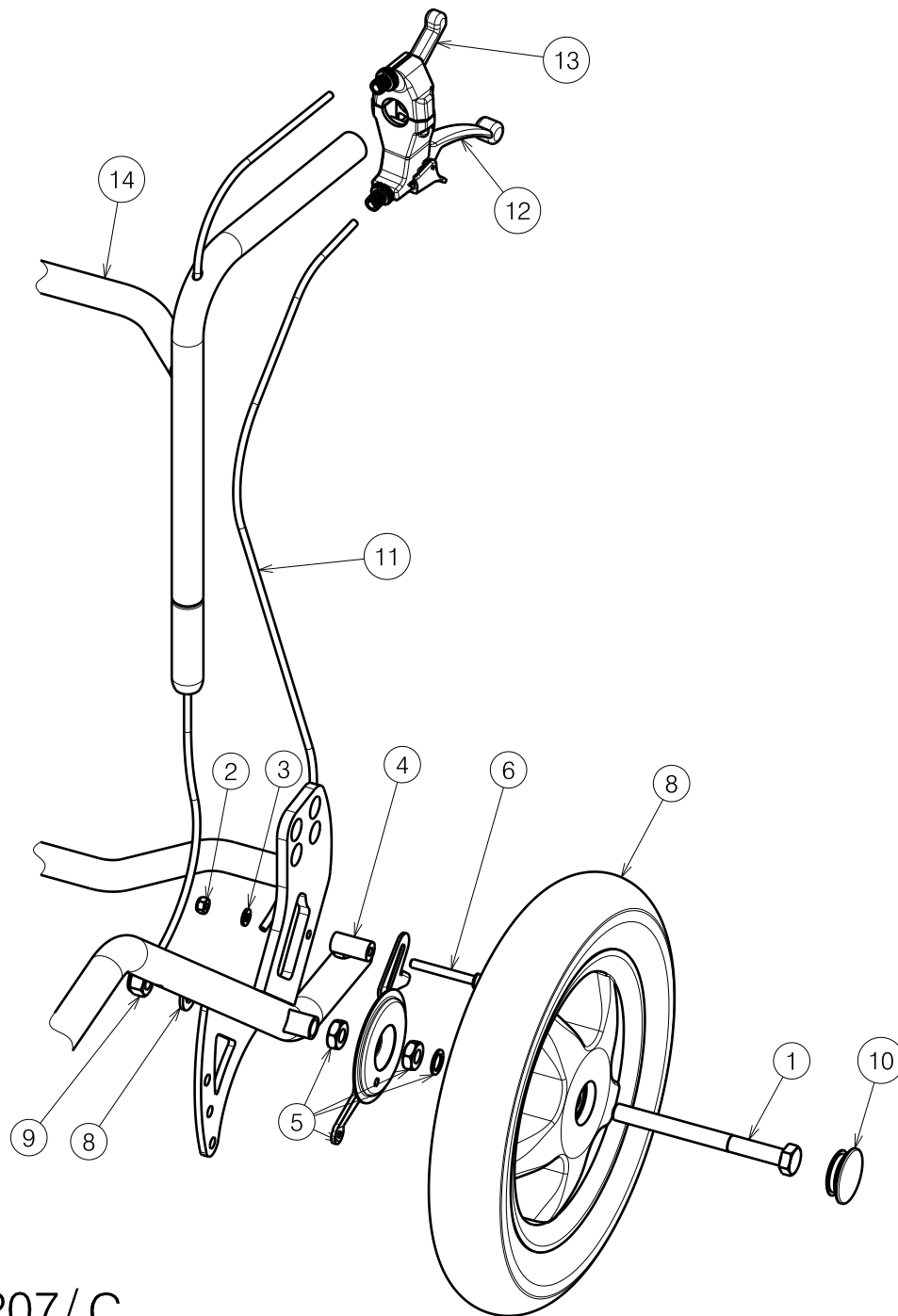
Material / Materiaal			
No. / Nr.	Plan / Plan	Article / Artikel	Number / Aantal
1	X002437	1992699	2
2	---	1001680	2
3	---	1993237	2
4	---	1997328	2
5	X000203	G000791	2
6	X003386	1611000	2
7	X003408	1997397	2
8	X002356	1502800	2
9	---	1997390	2
10	---	1993179 (L)	1
		1993180 (R)	1
11	X002436	1993127	2
12	---	1993129	2
13	---	1003279	1.9 m
14*	---	1004109	2
15	---	1994012	2
16	---	1996806	2
17	Y006942 (39)	1596601	1
	Y007061 (45)	1583601	1
	Y005046 (51)	1596901	1
18*	---	1908105	2

\* not depicted / niet afgebeeld

E000207/C

B74-B80 (24") TYPE SERENYS			Plan No. / Plannr.
			E000207/C
Scale / Schaal: 1:5	Drafted / Getekend	Verified / Nagezien	Confirmed / Bevestigd
Date / Datum	14/03/2005	15/03/2012	15/03/2012
Init. / Init.	SD	SV	PJ





Material / Materiaal			
No. / Nr.	Plan / Plan	Article / Artikel	Number / Aantal
1	X003366	1612600	2
2	---	1001680	2
3	---	1001564	2
4	X003407	1997399	2
5	---	1992147 (L)	2
		1992148 (R)	1
6	---	1006997	1
7	---	1990880	2
8	---	1992147 (L)	1
		1992148 (R)	1
		1005195	2
		1991634	2
9	---	1001684	2
10	X000872	1006487	2
11	---	1003279	1.9 m
12	---	1994012	2
13	---	1996806	2
14	Y006942 (39)	1596601	1
	Y007061 (45)	1583601	1
	Y005046 (51)	1596901	1
15*	---	1004109	2
16*	---	1908105	2

\* not depicted / niet afgebeeld

E000207 / C

B74-T30 (12 1/2 ")TYPE SERENYS			Plan No. / Plannr.
			E000207/C
Scale / Schaal:1:5	Drafted / Getekend	Verified / Nagezien	Confirmed / Bevestigd
Date / Datum	14/03/2005	15/03/2012	15/03/2012
Init. / Init.	SD	SV	PJ

