
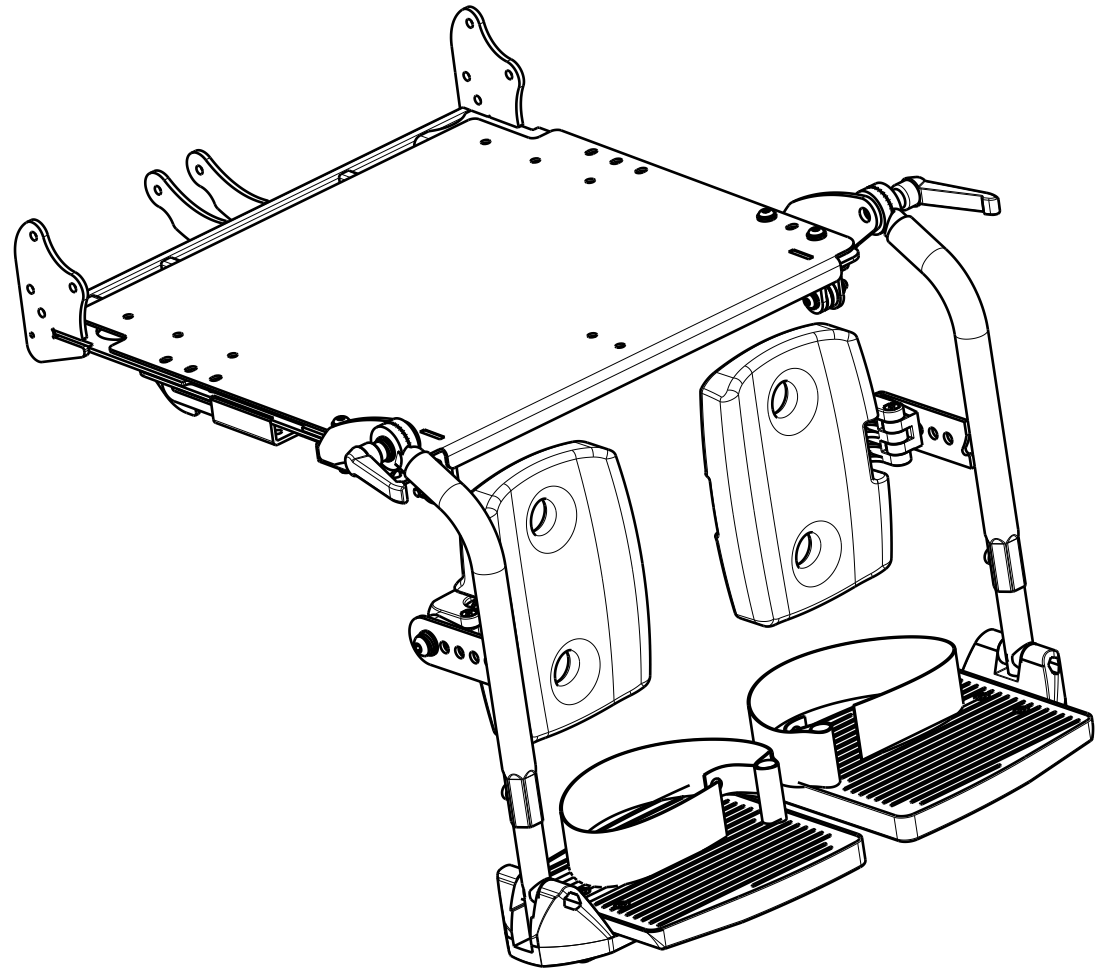


Isometric view  
Scale: 1:8


EP00184 / A

<b>B08 ADJUSTABLE LEGREST</b>   GEMINI 2/40; BAYO 40				Plan No. EP00184 / A
Scale: 1:5	Drafted	Verified	Confirmed	
Date	04/12/2014	04/12/2014	04/12/2014	
Initials	AZ	BS	TK	

Material			
No.	Plan	Article	Quantity
1	YP04924	28927...	1
2	YP04925	28928...	1
3	YP04926	28930...	1
4	YP04927	28931...	1
5	YP04928	28932...	1
6	YP04945	28933...	2
7	X000586	1005742	4
8	X001016	1001682	2
9	X002238	1992702	2
10	X004784	1905950	2
11	X004785	1905949	2
12	X004787	1905947	2
13	XP00007	2990000	2
14	XP00227	2990147	4
15	XP00699	2990929	2
16	M6x16 DIN 912/8.8	1001492	4
17	M6x20 DIN 912/8.8	1001493	4
18	D6,4 DIN 125 A	1001564	12
19	M8 DIN 127 A	1001570	4
20	M6 DIN 985	1001680	14
21	M6x12 DIN 916/45H	1005949	2
22	M8x20	1992349	2
23	M6x35	1006057	4
24	M6x30	1009588	2
25	Lever M8x15	1006661	2
26	M6X45 DIN 912/8.8	1003109	2
27	D9 DIN 126	1001554	4
28	---	1992802	2
29	M6x35 DIN 912/8.8	1001496	2



EP00184 / A

B08 ADJUSTABLE LEGREST				Plan No. EP00184 / A
GEMINI 2/40; BAYO 40				
Scale: 1:5	Drafted	Verified	Confirmed	
Date	04/12/2014	04/12/2014	04/12/2014	
Initials	AZ	BS	TK	