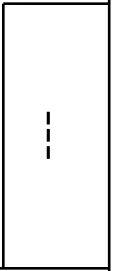
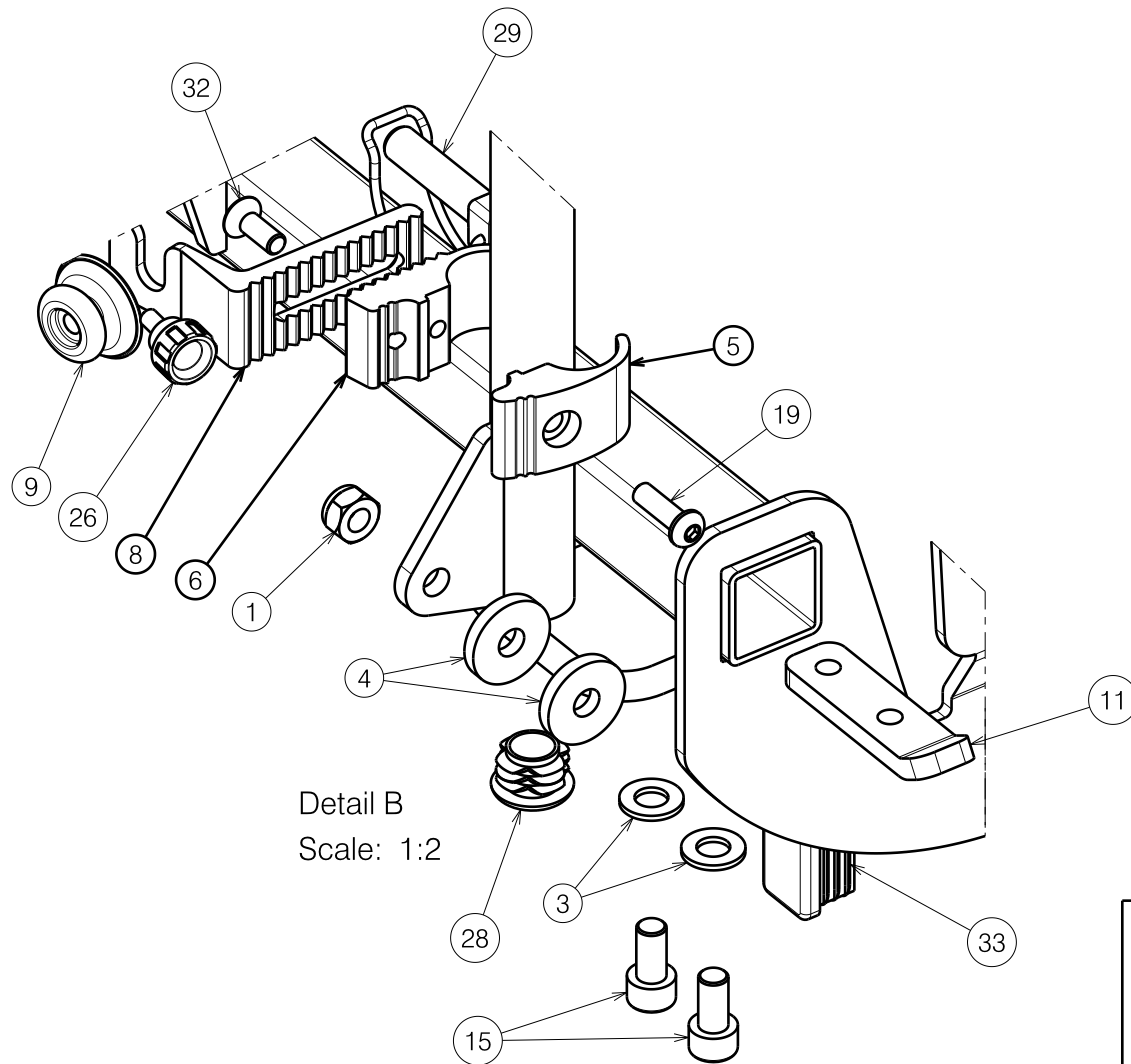
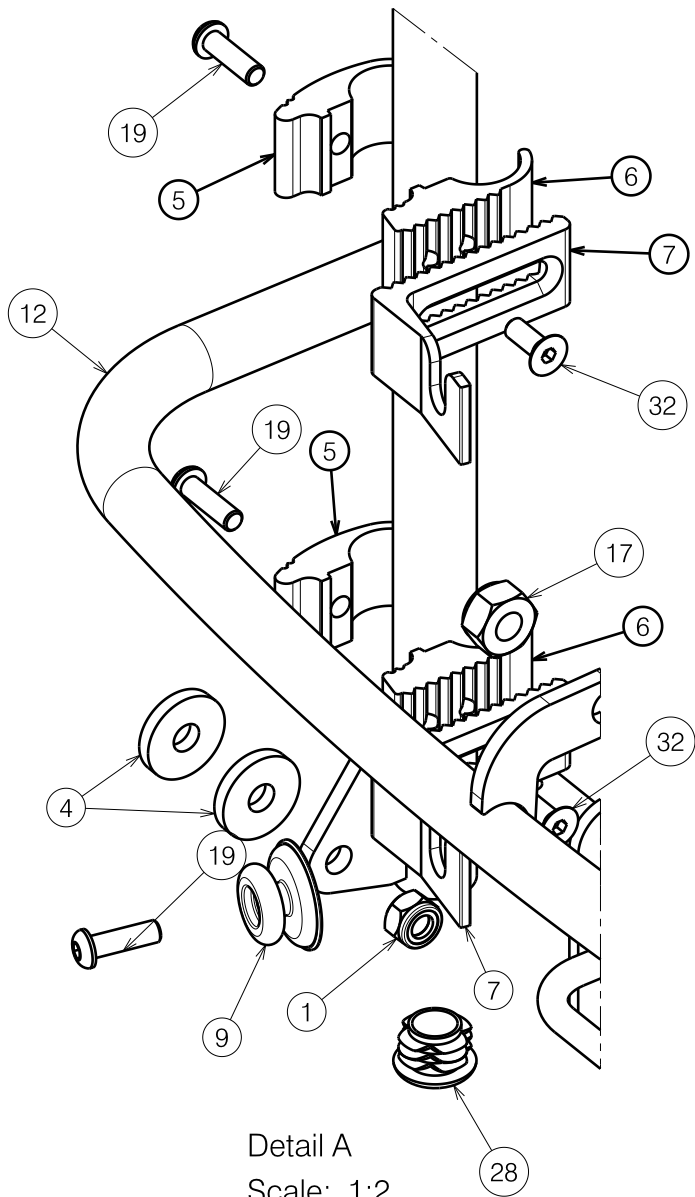


Sheet 1/3




<b>SIGMA BACK FRAME L34 TUB SE41</b>				Plan No.
				E001104 / B
Scale: 2:5	Drafted	Verified	Confirmed	
Date	20/06/2018	23/08/2018	23/08/2018	
Initials	SD	SD	PJ	

E001104 / B



Sheet 2/3

E001104 / B


SIGMA BACK FRAME L34 TUB SE41				Plan No.
				E001104 / B
Scale: 2:5	Drafted	Verified	Confirmed	
Date	20/06/2018	23/08/2018	23/08/2018	
Initials	SD	SD	PJ	

Material			
No.	Plan	Article	Quantity
1	X001016	1001682	4
2	X001052	G066600	2
3	X001119	1001554	4
4	X004048	1902685	4
5	X004820	1744599	4
6	X004821	1744699	4
7	X004822	1744799	2
8	X004823	1744899	2
9	X004861	1906454	2
10	X005410	1914781	1
11	Y018564	1774200	2
12	Y022791	2046354 (40)	1
	Y022792	2046454 (45)	1
	Y022793	2048254 (50)	1
13	Y022312	2049854 (40)	1
	Y022980	2049754 (45)	1
	Y022313	2049954 (50)	1
14	Soft grey 40	1912001	1
	Soft grey 45	1911493	1
	Soft grey 50	1912063	1

Material			
No.	Plan	Article	Quantity
15	M8x16 DIN912	1001498	4
16	M4 DIN985	1001678	2
17	M10 DIN985	1001683	1
18	D3,9x16 DIN7982	1005767	4
19	M6x20 ISO7380	1006999	6
20	M10x35 ISO7380	1009442	1
21	M6x15	1009932	2
22	LA23	1906790	1
23	---	1906791	1
24	---	1906792	1
25	M4x12 DIN7984	1907582	2
26	M5x10	1911896	1
27	----	1912307	1
28	D22	1990648	2
29	D10x40	1991481	1
30	M8x20 ISO7380	1992349	2
31	M8x30 ISO7380	1992717	2
32	M6x16 DIN7991	1994752	4
33	30x20	1997922	2
34	---	2993352	1

Sheet 3/3

E001104 / B

SIGMA BACK FRAME L34 TUB SE41				Plan No.
				E001104 / B
Scale: 2:5	Drafted	Verified	Confirmed	
Date	20/06/2018	23/08/2018	23/08/2018	
Initials	SD	SD	PJ	