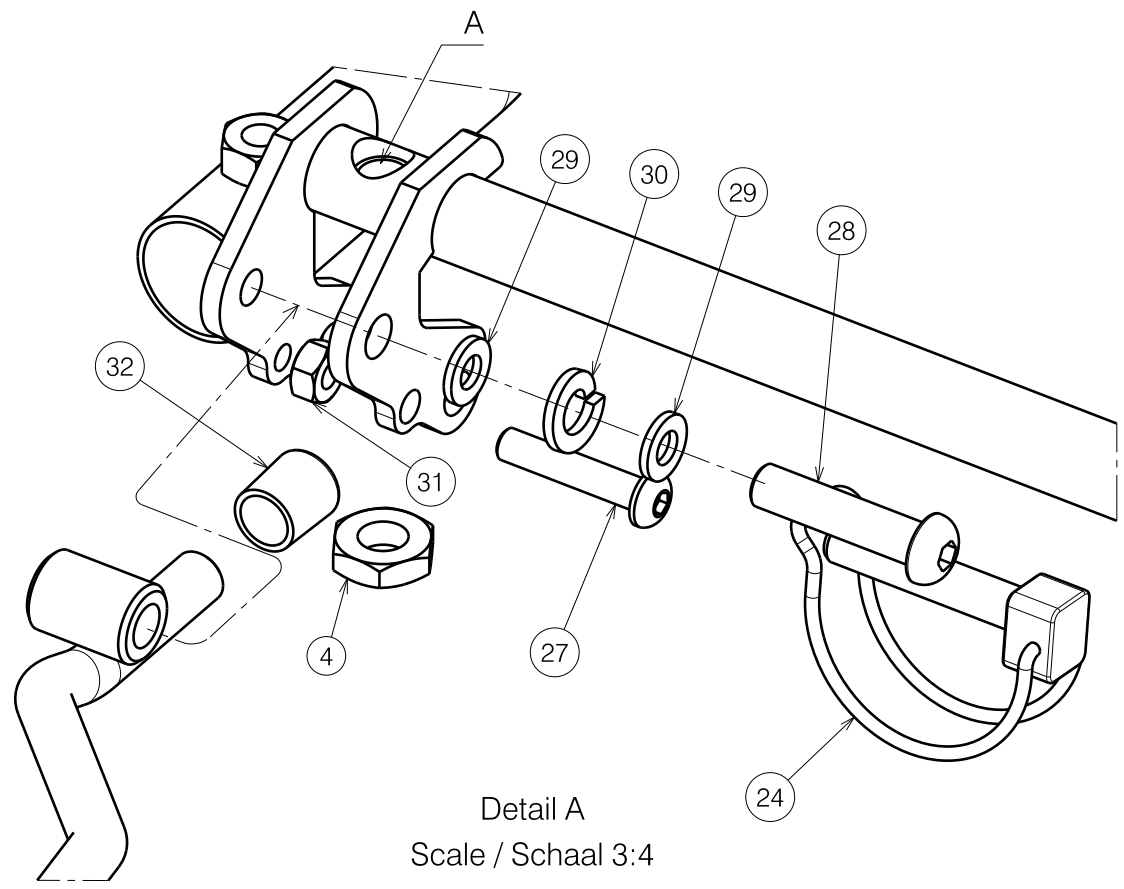


LOWER FRAME SERENYS				Plan No. / Plannr.
Sheet 1/2				E000172/F
Scale / Schaal: 1:5	Drafted / Getekend	Verified / Nagezien	Confirmed / Bevestigd	
Date / Datum	26/11/2004	16/03/2018	16/03/2018	
Init. / Init.	SD	SD	PJ	

Material / Materiaal							
No. / Nr.	Plan	Article / Artikel	Number / Aantal	No. / Nr.	Plan	Article / Artikel	Number / Aantal
1	Y007411 (39)	15867..	1	31	---	1001670	2
	Y006758 (45)	15863..	1	32	---	1900072	2
	Y007412 (52)	15868..	1	33	XC00037	3990106	2
2	---	1991447	2				
3	---	1001566	2				
4	---	1996871	2				
5	---	1990507	2				
6	---	1001682	2				
7	200x30 PU	1914606	2				
8	---	1003110	2				
9	X001119	1001554	2				
10	X003204	1585100	2				
11	---	1992929	1				
12	X000106	G003218	2				
13	---	1992930	1				
14	---	1905244	2				
15	X000203	G000791	4				
16	---	1911653	2				
17	X002437	1992699	2				
18	---	1004885	2				
19	Y007360	1596404	2				
20	---	1006111	2				
21	---	1001564	4				
22	---	1003277	2				
23	---	1001680	2				
24	---	1993594	2				
25	Y009857	1643154 (39)	1				
	Y009858	1643254 (45)	1				
	Y011466	1643354 (51)	1				
26	Y009853	1642654 (39)	1				
	Y009854	1642754 (45)	1				
	Y011469	1642854 (51)	1				
27	---	1009588	2				
28	---	1993236	2				
29	---	1001554	2				
30	---	1001570	2				



Detail A
Scale / Schaal 3:4

LOWER FRAME SERENYS				Plan No. / Plannr.
Sheet 2/2				E000172/F
Scale / Schaal: 1:5	Drafted / Getekend	Verified / Nagezien	Confirmed / Bevestigd	
Date / Datum	26/11/2004	16/03/2018	16/03/2018	
Init. / Init.	SD	SD	PJ	