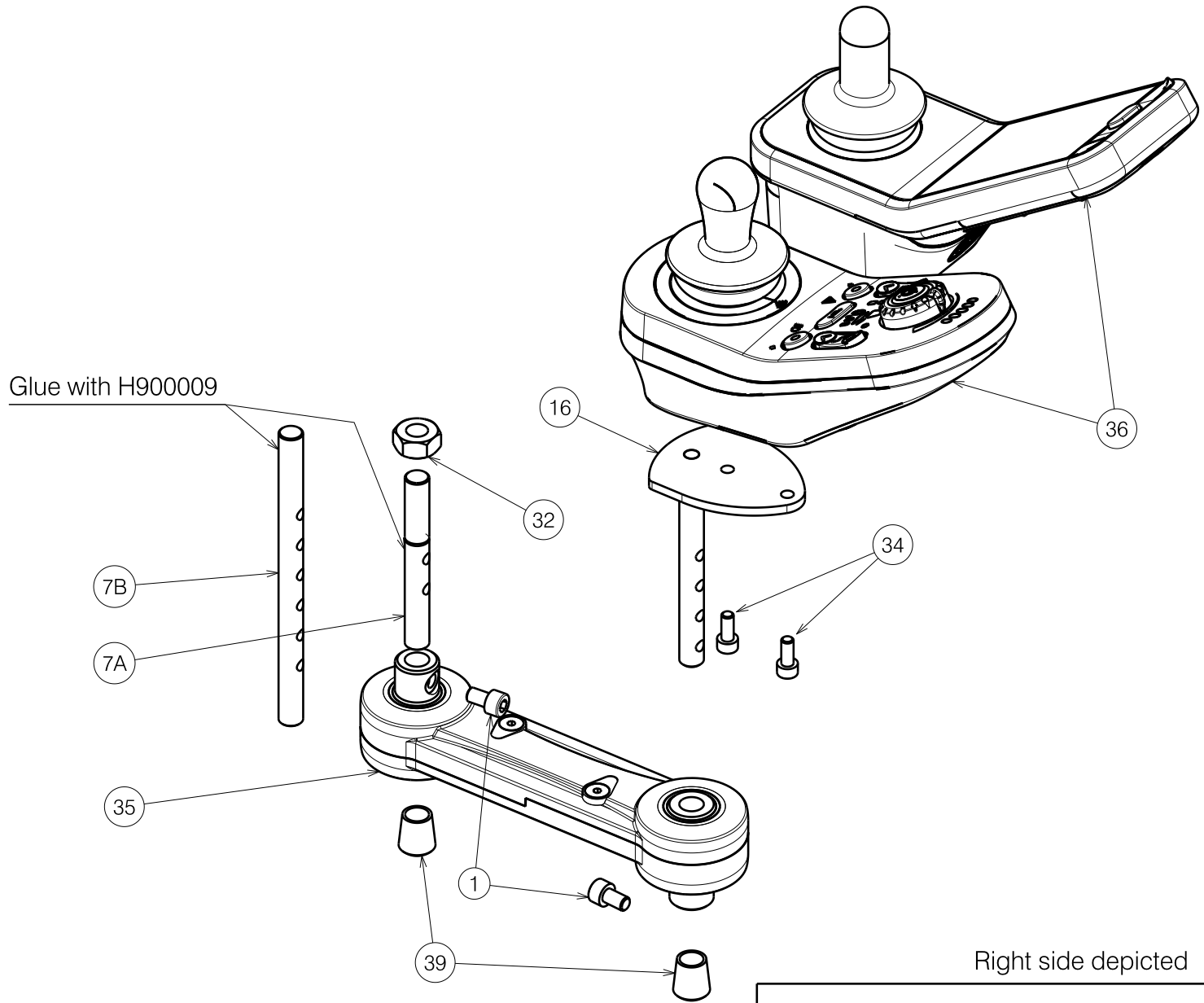


2992223

E000946 / M

FOLDABLE QUICK RELEASE ARMREST				Plan No.
				E000946 / M
Scale: 1:4	Drafted	Verified	Confirmed	
Date	27/02/2014	31/08/2018	31/08/2018	
Initials	SD	SD	PJ	

Glue with H900009



Right side depicted

Sheet 2/3

2992223

E000946 / M


FOLDABLE QUICK RELEASE ARMREST				Plan No.
				E000946 / M
Scale: 1:4	Drafted	Verified	Confirmed	
Date	27/02/2014	31/08/2018	31/08/2018	
Initials	SD	SD	PJ	

E000946 / M

Material							
No.	Plan	Article	Quantity	No.	Plan	Article	Quantity
1	X002112	1001491	2	20A	X005214	G118254	1
2a	X003700	1998790 (R)	1	20B	X005270	G001183	1
	X003699	1998789 (L)	1	20C	X005282	G101900	1
2b	Blue finish	1908891 (R)	1	21	Y020645	2003054 (R)	1
	Bleu finish	1908890 (L)	1		Y020644	2002954 (L)	1
	Green finish	1908887 (R)	1	22	M8X35 DIN933	1001444	1
	Green finish	1908886 (L)	1	23	M6X16 DIN912	1001492	2
	Red finish	1908889 (R)	1	24	---	1001581	1
	Red finish	1908888 (L)	1	25	---	1001616	2
	Soft grey	1911556 (R)	1	26	M6 DIN985	1001680	2
	Soft grey	1911555 (L)	1	27	M8 DIN125	1001556	1
3	X004423	1717300	1	28	X005401	1910679	1
4	X004736	1905736	2	29	M6X20 ISO7380	1006999	2
5	X004997	1773200	1	30	M6X12 ISO7380	1007000	4
6	X005004	1773304	1	31	D3x10	1008674	1
7	X005100	G116500 (St.)	1	32	M10X1 DIN934	1901345	1
	X004992	G116300 (Option)	1	33	M6X16 DIN7991	1994752	1
8	X005213	1910168	1	34	M5X12 DIN912	1001489	2
9	X005215	1910104 (R)	1	35	---	1908428	1
	X005216	1910105 (L)	1	36	SE39	1912301	1
10	X005272	1798600	1		SE39-SE19	1912296	1
11	X005273	1791000	1		SE39-SE19-ACT	1912305	1
12	XP00190	2990049 (L)	1		LCD	1913523	1
	XP00085	2990047 (R)	1	37	M6x20 DIN912	1001493	1
13	Y018161	17694.. (R)	1	38	M4x4 DIN916	1910674	1
	Y017339	17693.. (L)	1	39	---	1900072	2
14	Y018173	1770254	1	40	M6x20 DIN912	1001493	1
15	Y018397	17696.. (R)	1	42	Y021389	2012054	1
	Y018394	17695.. (L)	1	43	M6x6 ISO7380	1906051	2
16	Y021992	2021854	1				
17	X005367	1910362	2				
18	Y020143	2002854	1				
19	X004994	1773104	1				
20	Y020367	20026 (R)	1				
	Y020368	20027 (L)	1				

Sheet 3/3

2992223

FOLDABLE QUICK RELEASE ARMREST				Plan No.
				E000946 / M
Scale: 1:4	Drafted	Verified	Confirmed	
Date	27/02/2014	31/08/2018	31/08/2018	
Initials	SD	SD	PJ	