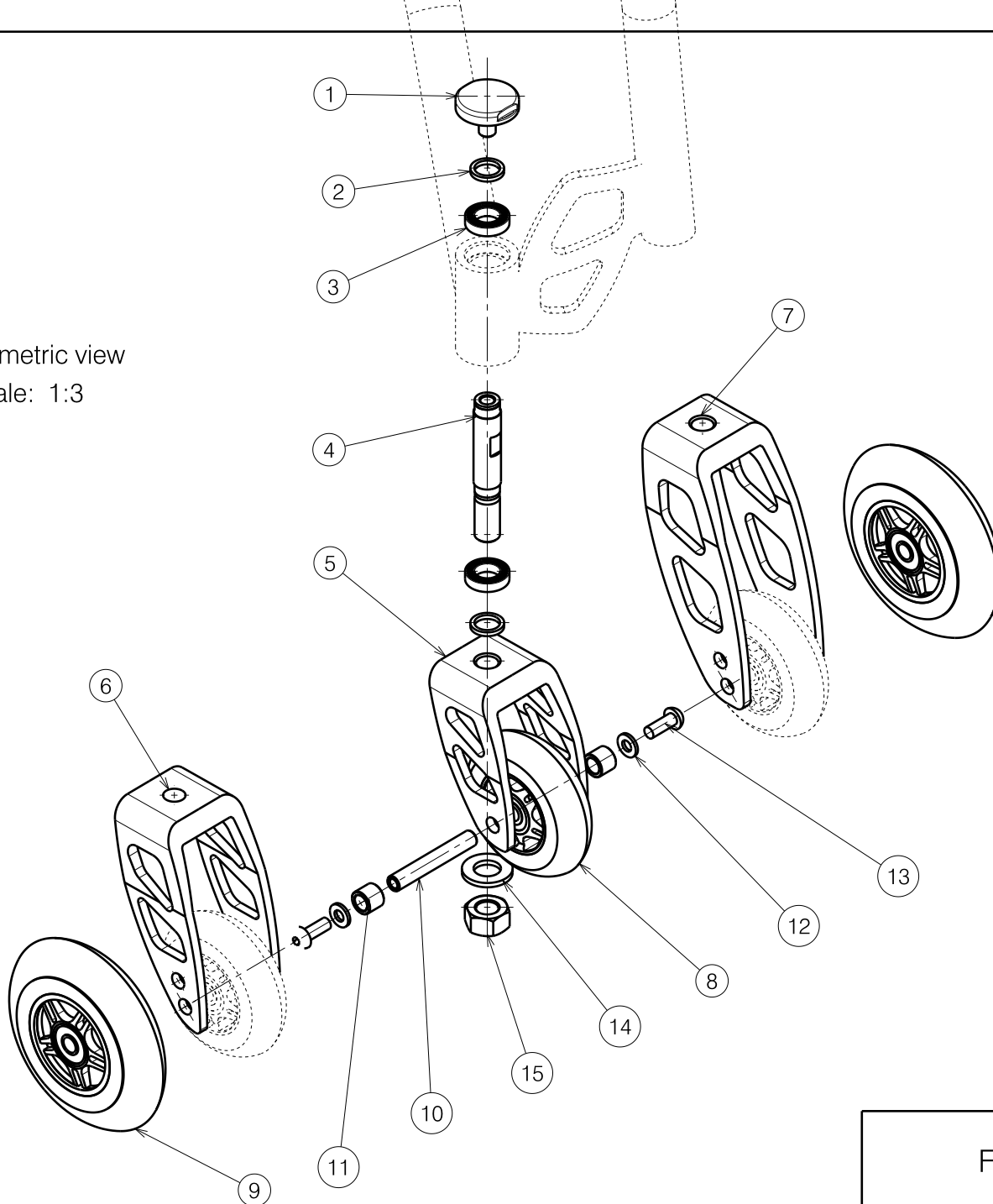


Isometric view  
Scale: 1:3



| Material |               |         |          |
|----------|---------------|---------|----------|
| No.      | Plan          | Article | Quantity |
| 1        | XP00340       | 18548   | 2        |
| 2        | X000188       | G0785   | 4        |
| 3        | ---           | 1003276 | 4        |
| 4        | XP00338       | 18538   | 2        |
| 5        | XP00636( 18") | 1898354 | 2        |
| 6        | XP00696 (20") | 1899054 | 2        |
| 7        | XP00695 (22") | 1898454 | 2        |
| 8        | WHEEL 3"      | 2990959 | 2        |
| 9        | WHEEL 4"      | 2990960 | 2        |
| 10       | XP00341       | 18549   | 2        |
| 11       | XP00680       | 2990917 | 4        |
| 12       | D 6,4         | 1000973 | 4        |
| 13       | M6x16         | 1008459 | 2        |
| 14       | D24xD13x2,5   | 1993362 | 2        |
| 15       | M12x1,25      | 1003369 | 2        |

EP00012/A

| FRONT WHEELS SAGITTA KIDS |            |            |            | Plan Number   |
|---------------------------|------------|------------|------------|---|
|                           |            |            |            | EP00012/A   |
| Scale: 1:3                | Drafted    | Verified   | Confirmed  |  |
| Date                      | 12/01/2011 | 12/01/2011 | 12/01/2011 |   |
| Initials                  | RM         | MK         | TK         |   |