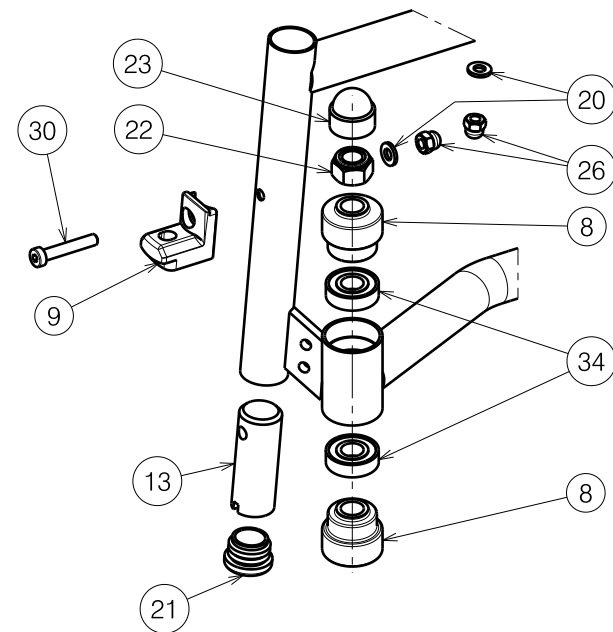


Detail A  
Scale 1:4




E000728 / D

FRAME V100 XL DELUXE				Plan No.
				E000728 / D
Scale: 3:20	Drafted	Verified	Confirmed	
Date	21/04/2011	21/08/2015	21/08/2015	
Initials	SD	TT	PJ	

Material							
No.	Plan	Article	Quantity	No.	Plan	Article	Quantity
1	X002437	1992699	2	21	---	1001608	2
2	X003204	1585100	2	22	---	1001684	2
3	X003800	1900347	2	23	---	1003294	2
4	X003986	1902199	2	24	---	1003909	6
5	X004308	1904129	2	25	---	1006850	2
6	X004309	1904133	2	26	---	1008492	12
7	X004406	1722400	2	27	---	1001500	2
8	X004407	1904573	4	28	---	1900183 (30)	2
9	X004415	17193	2			1900184 (50)	2
10	X004420	1904134	2	29	---	1902024	2
11	X004469	1905045	2	30	---	1903903	2
12	X004487	1904581	2	31	---	1905243	2
13	X004568	1904657	2	32	---	1905244	2
14	X004574	1904658	2	33	---	1905638	2
15	Y006559	1995662	2	34	---	1992559	4
16	Y006560	1575062	2	35	---	1992599	2
17	Y016062	1736054	2	36	---	1992600	2
18	Y016063	1736154	2	37	M16 type S DIN17222	1911653	2
19	Y017322	17616..(L)	1	38	---	1994605	2
	Y017335	17617..(R)	1	39	---	1997388	2
20	---	1001564	6	40	---	1998993	2
				41	---	1998994	2

Note: Quantities are for one wheelchair, left side only depicted

FRAME V100 XL DELUXE				Plan No.
FRAME V100 XL DELUXE				E000728 / D
Scale: 3:20	Drafted	Verified	Confirmed	
Date	21/04/2011	21/08/2015	21/08/2015	
Initials	SD	TT	PJ	