
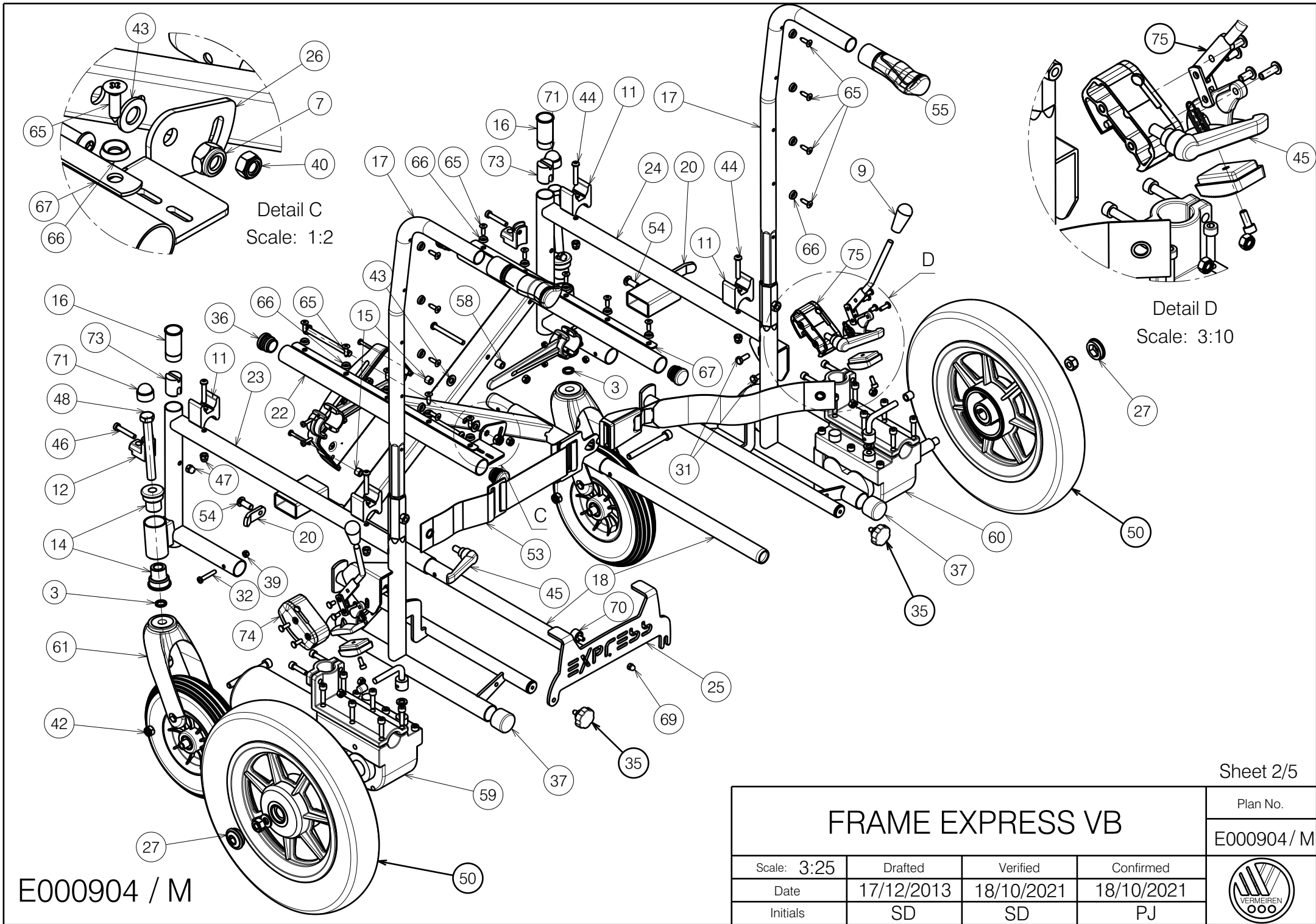


E000904 / M

Sheet 1/5

<h1>FRAME EXPRESS VB</h1>				Plan No.
				E000904 / M
Scale: 3:25	Drafted	Verified	Confirmed	
Date	17/12/2013	18/10/2021	18/10/2021	
Initials	SD	SD	PJ	



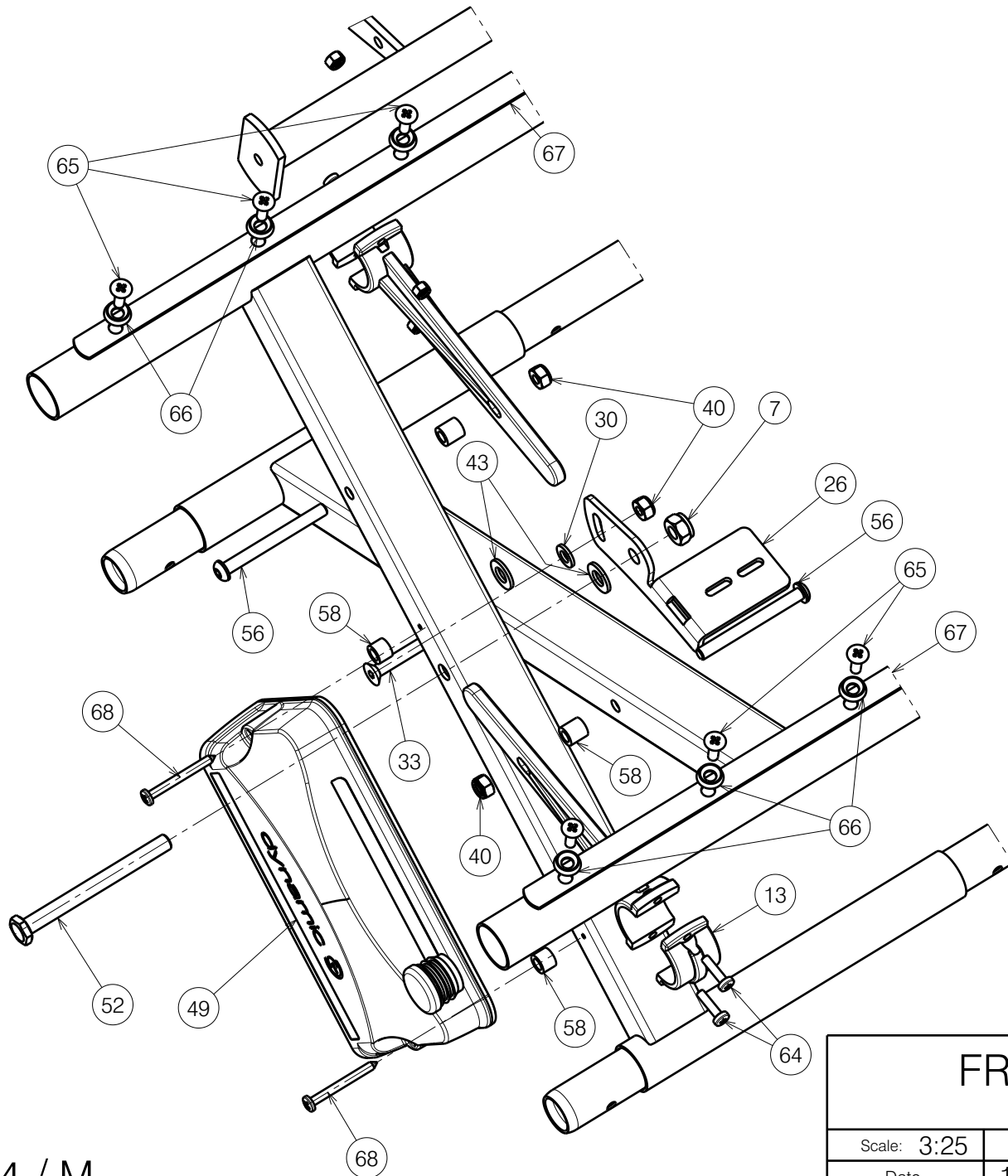
Detail C  
Scale: 1:2

Detail D  
Scale: 3:10

E000904 / M

Sheet 2/5

<h1>FRAME EXPRESS VB</h1>				Plan No.
				E000904 / M
Scale: 3:25	Drafted	Verified	Confirmed	
Date	17/12/2013	18/10/2021	18/10/2021	
Initials	SD	SD	PJ	



E000904 / M

Sheet 3/5

<b>FRAME EXPRESS VB</b>			
Power module			
Scale: 3:25	Drafted	Verified	Confirmed
Date	17/12/2013	18/10/2021	18/10/2021
Initials	SD	SD	PJ

Plan No.  
E000904 / M



Material											
No.	Plan	Article	Quantity	No.	Plan	Article	Quantity	No.	Plan	Article	Quantity
3	X000188	G078500	2	23	Y020054	17944.. (39)	1	47	M6	1008492	6
7	X001016	1001682	3		Y020216	17946.. (42)	1	48	M12x100 DIN931	1009034	2
11	X001674	1990601	4		Y020218	17948.. (44)	1	49	---	1909021	1
12	X004415	17193	2		Y020220	17950.. (46)	1	50	AIR	1915822	2
13	X002623	1994195	2		Y020222	17952.. (48)	1		PU	1915629	2
14	X003579	1998414	4		Y020224	17954.. (50)	1	51	AIR	1915824	2
15	X003698	1004550	2	24	Y020055	17945.. (39)	1		PU	1916558	2
16	X004574	1904658	2		Y020217	17947.. (42)	1	52	M8x85 DIN931/12.9	1911090	1
17	Y002649DP	14283..	2		Y020219	17949.. (44)	1	53	---	1992267	1
18	Y002761	F001674	2		Y020221	17951.. (46)	1	54	M8x20 ISO7380	1992349	2
19	Y002771	F001680 (39)	2		Y020223	17953.. (48)	1	55	---	1992600	2
	Y002772	F001681 (42)	2		Y020225	17955.. (50)	1	56	M6x60 ISO7380	1992915	2
	Y002773	F001682 (44)	2	25	Y020057	1795654	1	57	M8x75 DIN912	1992973	2
	Y002774	F001683 (46)	2	26	Y020061	1796954	1	58	---	1996716	2
	Y002775	F001684 (48)	2	27	X003800	1900347	2	59	---	1910944 (L)	1
	Y002776	F001685 (50)	2	30	M6 DIN125A	1000973	3	60	---	1910945 (R)	1
20	Y003955	1496000	2	31	M6x16 DIN933	1001429	4	61	---	2990526	2
21	Y020051	1795704 (39)	1	32	M5x30 DIN7985	1001475	4	64	M4x16	2990185	4
	Y020201	1795904 (42)	1	33	M6x50 DIN7991	1001486	1	65	Ø4.8X19 DIN7983	1001534	18
	Y020204	1796104 (44)	1	35	M6x10	1003658	2	66	X001473	1002994	18
	Y020207	1796304 (46)	1	36	---	1001608	4	67	Y000439	H000013	2
	Y020210	1796504 (48)	1	37	---	1001626	2	68	Ø4x40	1005207	2
	Y020213	1796704 (50)	1	38	M4 DIN985	1001678	4	69	---	1909204	1
22	Y020052	1795804 (39)	1	39	M5 DIN985	1001679	4	70	M5	1992804	1
	Y020202	1796004 (42)	1	40	M6 DIN985	1001680	3	71	---	1003294	2
	Y020205	1796204 (44)	1	41	M10 DIN985	1001683	2	72	M10 DIN125	1001558	2
	Y020208	1796404 (46)	1	42	M12 DIN985	1001684	2	73	X004568	1904657	2
	Y020211	1796604 (48)	1	43	M8 DIN125	1003199	2	74	Left brake set	1915780	1
	Y020214	1796804 (50)	1	44	M6x35 ISO7380	1006057	4	75	Right brake set	1915781	1
				45	M8x15	1006661	2				
				46	M6x35 DIN7984	1903903	2				

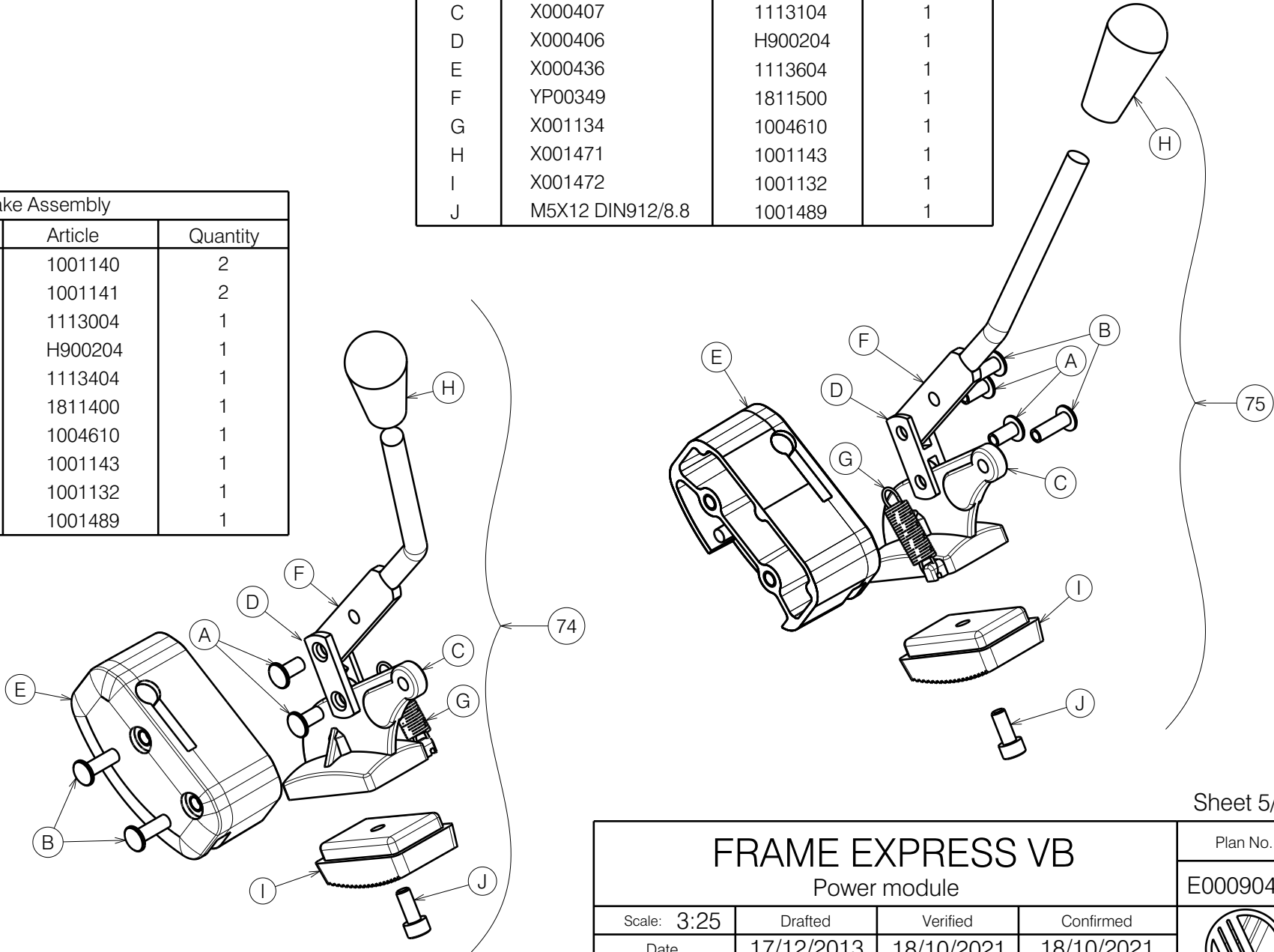
E000904 / M

Sheet 4/5

<b>FRAME EXPRESS VB</b>				Plan No.
				E000904 / M
Scale: 3:25	Drafted	Verified	Confirmed	
Date	17/12/2013	18/10/2021	18/10/2021	
Initials	SD	SD	PJ	


1915781 - Right Brake Assembly			
No.	Plan	Article	Quantity
A	X000138	1001140	2
B	X000139	1001141	2
C	X000407	1113104	1
D	X000406	H900204	1
E	X000436	1113604	1
F	YP00349	1811500	1
G	X001134	1004610	1
H	X001471	1001143	1
I	X001472	1001132	1
J	M5X12 DIN912/8.8	1001489	1

1915780 - Left Brake Assembly			
No.	Plan	Article	Quantity
A	X000138	1001140	2
B	X000139	1001141	2
C	X000402	1113004	1
D	X000406	H900204	1
E	X000431	1113404	1
F	YP00348	1811400	1
G	X001134	1004610	1
H	X001471	1001143	1
I	X001472	1001132	1
J	M5X12 DIN912/8.8	1001489	1



E000904 / M

Sheet 5/5

FRAME EXPRESS VB				Plan No.
Power module				E000904 / M
Scale: 3:25	Drafted	Verified	Confirmed	
Date	17/12/2013	18/10/2021	18/10/2021	
Initials	SD	SD	PJ	